
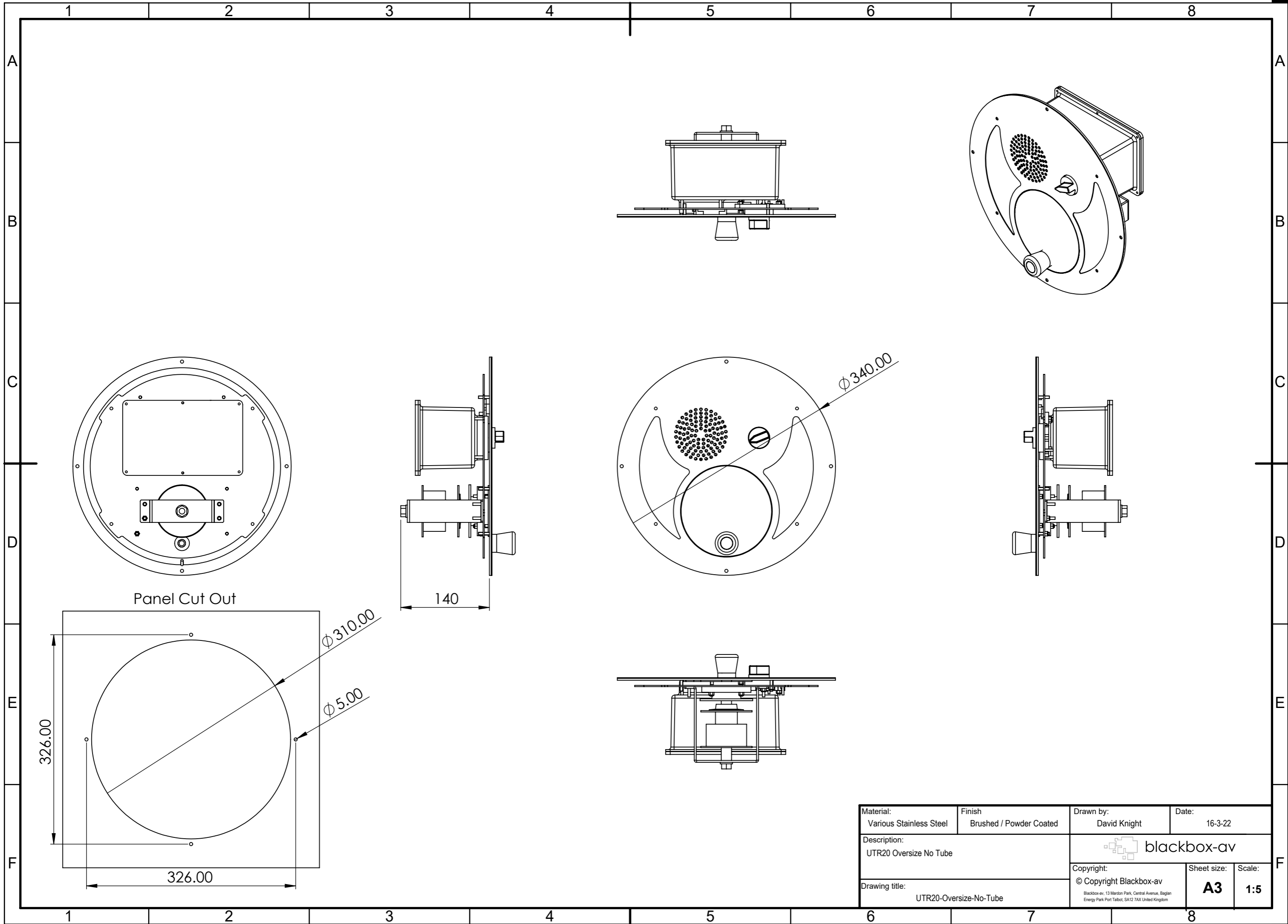



Material: Various Stainless Steel	Finish Brushed / Powder Coat	Drawn by: David Knight	Date: 17-5-21
Description: UTR20 Oversize Front Assem			
Drawing title: UTR20-Oversize-Front-Assem		Copyright: © Copyright Blackbox-av Blackbox-av, 13 Mardon Park, Central Avenue, Baglan Energy Park Port Talbot, SA12 7AX United Kingdom	Sheet size: <b>A3</b>
		Scale: <b>1:5</b>	



Panel Cut Out

Material: Various Stainless Steel	Finish: Brushed / Powder Coated	Drawn by: David Knight	Date: 16-3-22
Description: UTR20 Oversize No Tube		 blackbox-av	
Drawing title: UTR20-Oversize-No-Tube		Copyright: © Copyright Blackbox-av <small>Blackbox-av, 13 Mardon Park, Central Avenue, Baglan Energy Park Port Talbot, SA12 7AX United Kingdom</small>	Sheet size: <b>A3</b>
		Scale: <b>1:5</b>	