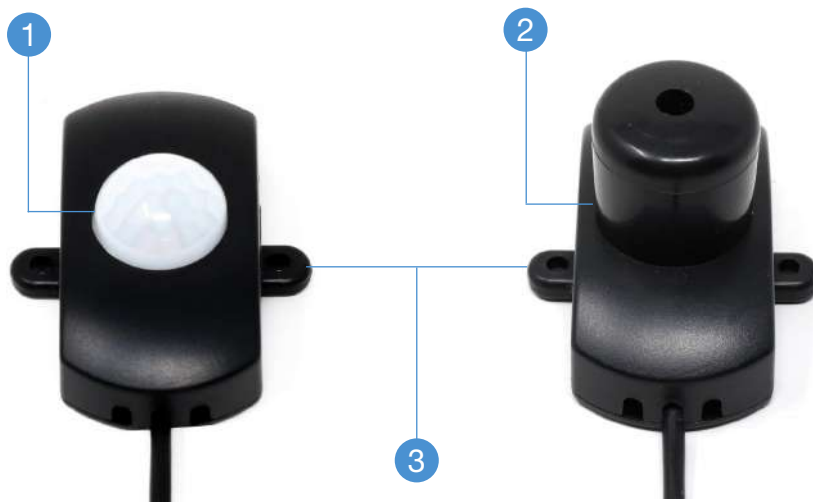




PIR Sensor

Product Code: ACC-PIR-SP



1 Standard Sense Angle

As standard, the PIR Sensor operates as an open angled sensor at 120.

2 Reduced Sense Angle

If you choose this option, the PIR will be limited to a reduced range at 20.

3 Fixing Wings

The PIR sensor can be wall-mounted using the attached fixing wings and fixing screws.

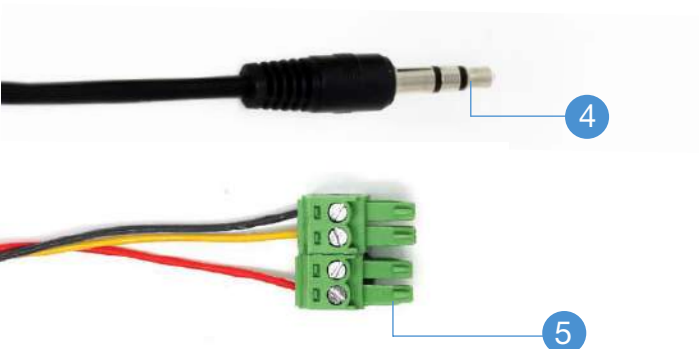
Options

4 3.5mm Jack - VideoClip / Period Telephone

Supporting either VideoClip devices or even your own device. The cable's length reaches up to 20M.

5 Wire Connections - SoundClip / Other Devices

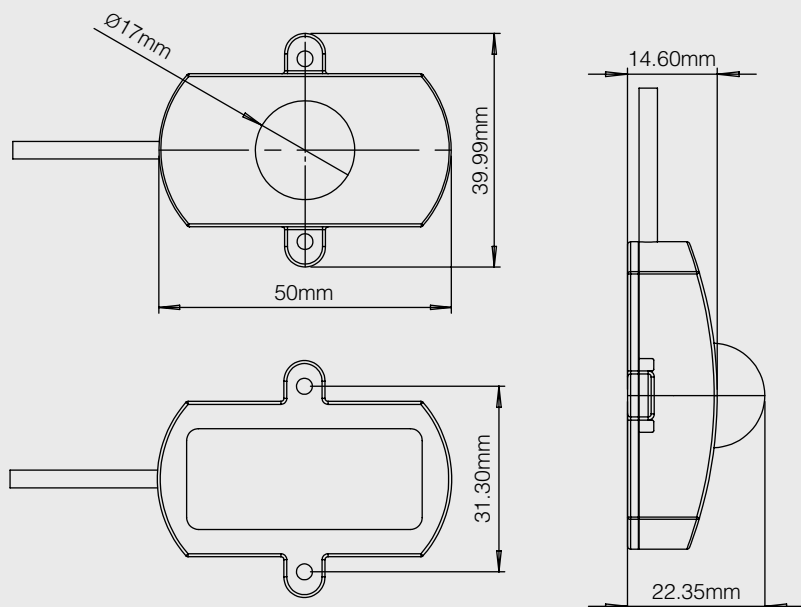
Allowing you to connect your device to our SoundClip range of audio players, or other devices (check compatibility with manufacturer).



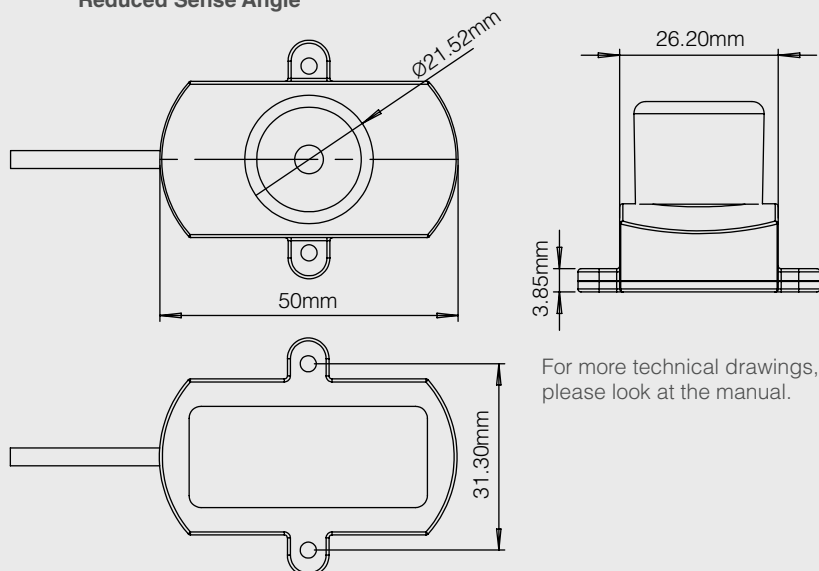
Technical Information

Standard Sense Angle

(not to scale)

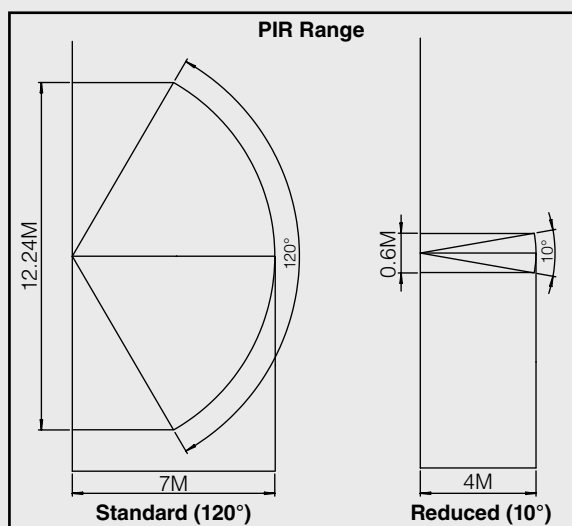


Reduced Sense Angle



For more technical drawings, please look at the manual.

Weight	0.1Kg
Dimensions	50 x 40 x 22.35/31.5mm
Operating Voltage	5 - 24VDC
Operating Temperature	-20°C to +50°C
Static Current	< 50µA
Output Current	5A
Trigger Mode	Continuous Trigger
Induction Angle	120° / 10°
Induction Way	Passive
PIR Distance of Detection (Standard)	7M
PIR Distance of Detection (Reduced)	4M
Cable Length	2M
Switch Type	Normally Open
Included	1 x PIR Sensor, 2 x Fixing Screws, 1 x Wall Sticker



Related Products



SoundClip-2



VideoClip HD-8



VideoClip HD-6



SoundClip Battery