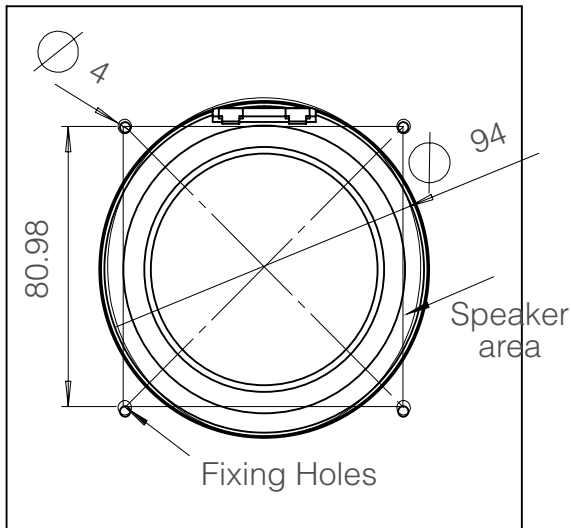


4" 15W Through Panel Speaker

Quick Installation Guide

Installation of the Through Panel Speaker couldn't be easier; this quick guide takes you through the step-by-step process of installing your Through Panel Speaker into your desired surface. For Spec Sheet information, please refer to the 4" 15W Speaker - Behind/Through Panel product page in the Downloads tab.

<https://www.interpretationshop.co.uk/product/4-15w-speaker-behind-through-panel/>

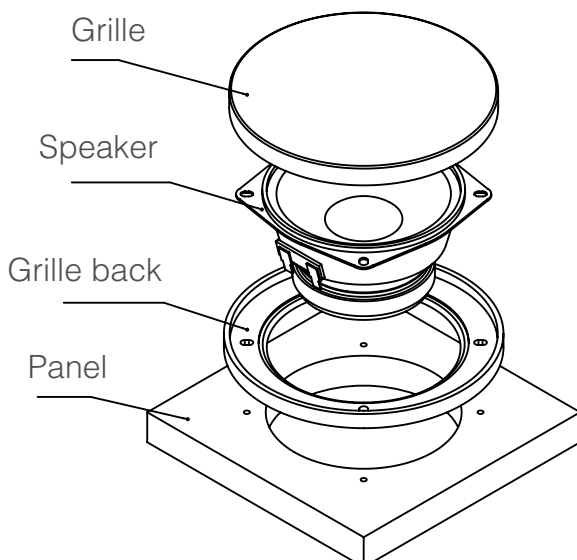


Before we start;

Ensure that your chosen panel/surface, has been drilled/cutout with four fixing holes and one through-hole for the back of the speaker.

Refer to the diagram to the left or the Spec Sheet for reference.

Installation;



1. Place the grille back onto the panel
2. Place the speaker on top so the back goes through the central hole
3. Secure both the grille back and speaker into place with a set of four screws.
4. Once secured, place the grille on top of the speaker.
5. Secure the grille into the place with the 2.5 mm screws provided, through the sides of the grille back

Web: <https://www.interpretationshop.co.uk/product/4-15w-speaker-behind-through-panel/>

Tel: +44 (0)1639 874 100

Email: sales@blackboxav.co.uk