



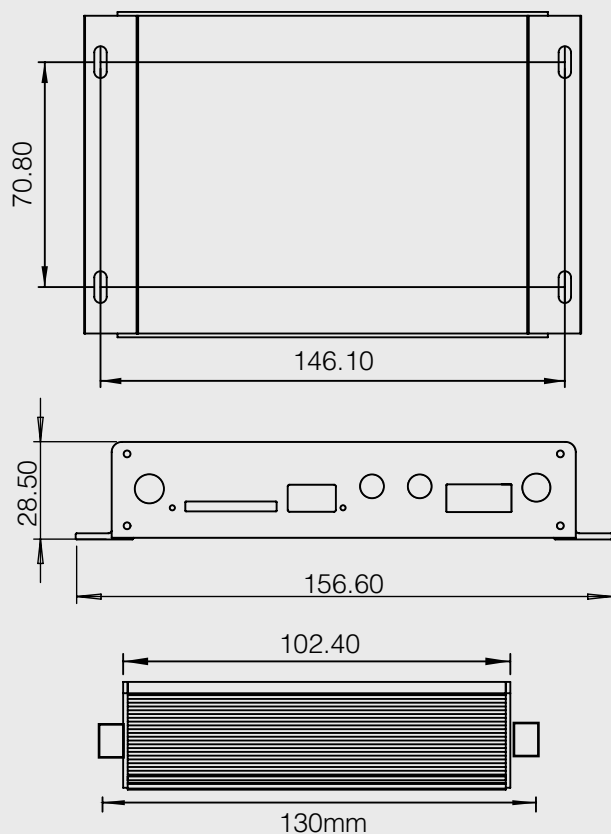
SoundClip-V2

Product Code: SC-V2



- 1 Button Inputs**
Supporting up to two buttons, the SCV2 is also compatible with other triggering devices.
- 2 GPIO Out**
During playback, the GPIO is switched on. It can be used to power LED's or relays etc.
- 3 Button Volume Control**
Powered by 2 buttons, you can give your visitors the ability to increase and decrease the volume.
- 4 USB / SD Card**
Content is stored on a USB stick or SD card, supporting up to 99 files.
- 5 Headphone Output**
The device has 2 x headphone amplified low level stereo 3.5mm jack outputs.
- 6 Speaker Output**
10w per channel amplified speaker output, connected via terminal blocks.
- 7 Power Input**
Simply connect the supplied '12V DC in' to give power to the device.
- 8 Power LED**
The red LED will be lit when the unit is powered.
- 9 Status LED**
The blue LED indicates the player state.
- 10 Master Volume**
The Master Volume control sets the maximum volume level of the player.

Technical Information



Unpackaged Weight	0.4Kg
Dimensions	155 x 130 x 28mm
Message Storage Medium	USB Stick or SD Card
Maximum Number of Audio Files	99 Files (mode dependant)
Number of Buttons / Trigger Inputs	1 - 2
Number of Lighting Outputs	1 via the 'GPIO / 12V Out' terminal
12V Out	Power accessories such as low power LED's or PIR Sensors
LED Power Output	1.2W @ 12V
Output Max Switching	Open Collector 45V, 100mA
Message Encoding Format	.MP3
Speaker Audio Output	10W per channel into 8Ω Speakers
Frequency Response	20Hz - 22KHz
Headphone Audio Output	2 x 3.5mm audio jack (headphones / handsets etc.)
Speaker Output	Screw terminals (phoenix)
Power Supply	External 5.5 x 2.1 DC12V 2A Power Connector
Power Consumption	Standby - 0.75W Playback - 0.9W
Included	1 x SoundClip, 1 x SD Card - 128MB, 1 x Precision Screwdriver, 1 x 12V DC Power Supply (suitable for destination country), 1 x Manual & 5/6 x Terminal Blocks

Other Audio Player Products

Battery Audio Player



SoundClip-12



Related Products



Heavy Duty Handset



Push Button



MKII Armour Cable Headphones



Single Cup Headphones