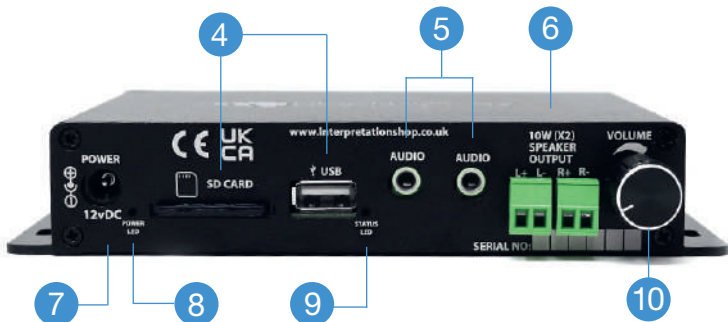
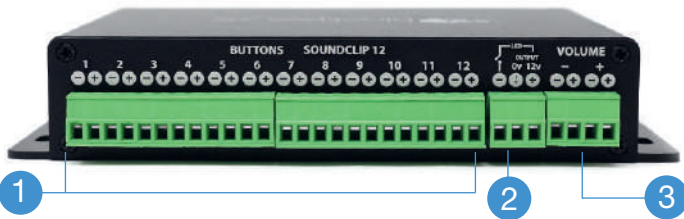




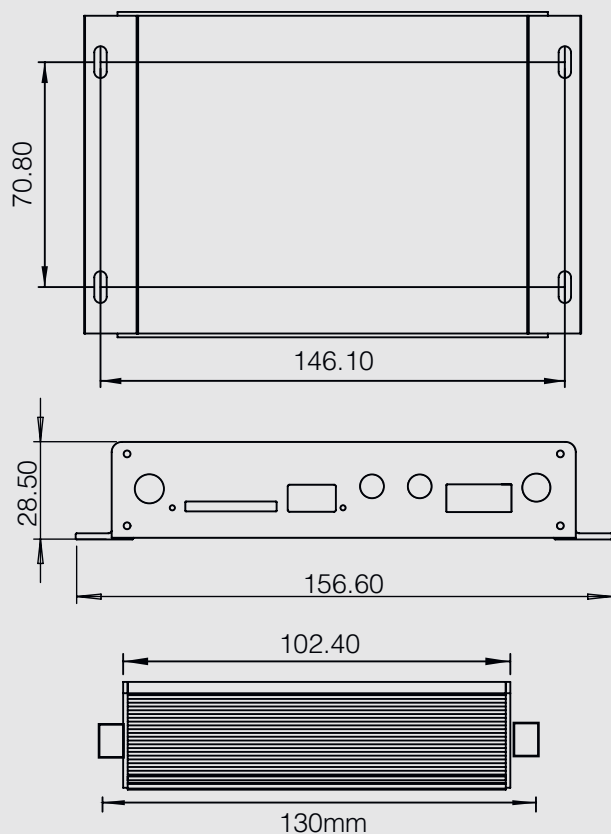
# SoundClip-12

Product Code: SC-12



- 1 Button Inputs**  
Supporting up to twelve buttons, the SC12 is also compatible with other triggering devices.
  - 2 GPIO Out**  
During playback, the GPIO is switched on. It can be used to power LED's or relays etc.
  - 3 Button Volume Control**  
Powered by 2 buttons, you can give your visitors the ability to decrease and increase the volume.
  - 4 USB / SD Card**  
Content is stored on a USB stick or SD card, supporting up to 99 files.
  - 5 Headphone Output**  
The device has 2 x headphone amplified low level stereo 3.5mm jack outputs.
  - 6 Speaker Output**  
10w per channel amplified speaker output, connected via terminal blocks.
  - 7 Power Input**  
Simply connect the supplied '12V DC in' to give power to the device.
  - 8 Power LED**  
The red LED will be lit when the unit is powered.
  - 9 Status LED**  
The blue LED indicates the player state.
  - 10 Master Volume**  
The Master Volume control sets the maximum volume level of the player.
- ! NOTE:**  
Windows OS is required to program your U-Turn Round using a PC or Laptop (XP – 10). MacOS is not supported due to hidden files generated by the OS.

# Technical Information



<b>Unpackaged Weight</b>	0.4Kg
<b>Dimensions</b>	155 x 130 x 28mm
<b>Message Storage Medium</b>	USB Stick or SD Card
<b>Maximum Number of Audio Files</b>	99 Files (mode dependant)
<b>Number of Buttons / Trigger Inputs</b>	1 - 12
<b>Number of Lighting Outputs</b>	1 via the 'GPIO / 12V Out' terminal
<b>12V Out</b>	Power accessories such as low power LED's or PIR Sensors
<b>LED Power Output</b>	1.2W @ 12V
<b>Output Max Switching</b>	Open Collector 45V, 100mA
<b>Message Encoding Format</b>	.MP3
<b>Speaker Audio Output</b>	10W per channel into 8Ω Speakers
<b>Frequency Response</b>	20Hz - 22KHz
<b>Headphone Audio Output</b>	2 x 3.5mm audio jack (headphones / handsets etc.)
<b>Speaker Output</b>	Screw terminals (phoenix)
<b>Power Supply</b>	External 5.5 x 2.1 DC12V 2A Power Connector
<b>Power Consumption</b>	Standby - 0.75W Playback - 0.9W
<b>Included</b>	
1 x SoundClip, 1 x SD Card - 128MB, 1 x Precision Screwdriver, 1 x 12V DC Power Supply (suitable for destination country), 1 x Manual & 5/6 x Terminal Blocks	

## Other Audio Player Products

Battery Audio Player



SoundClip-V2



## Related Products



Heavy Duty Handset



Push Button



MKII Armour Cable Headphones



Single Cup Headphones