

1 2 3 4 5 6

A

B

C

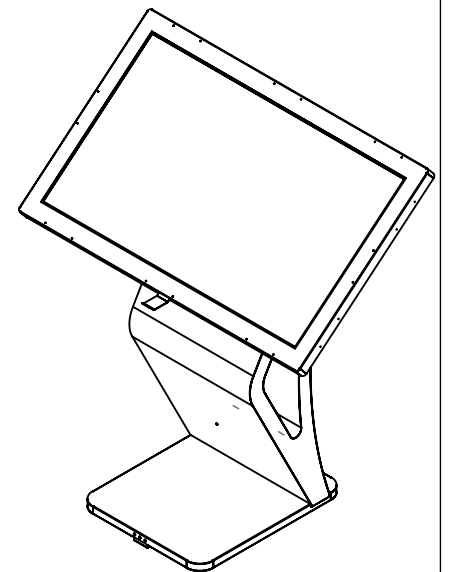
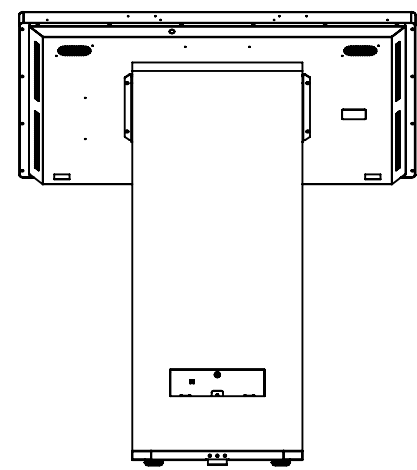
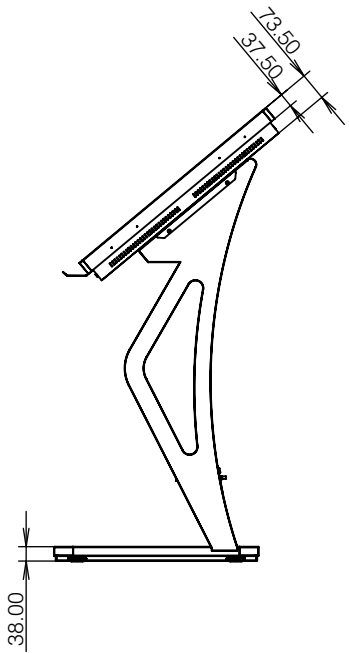
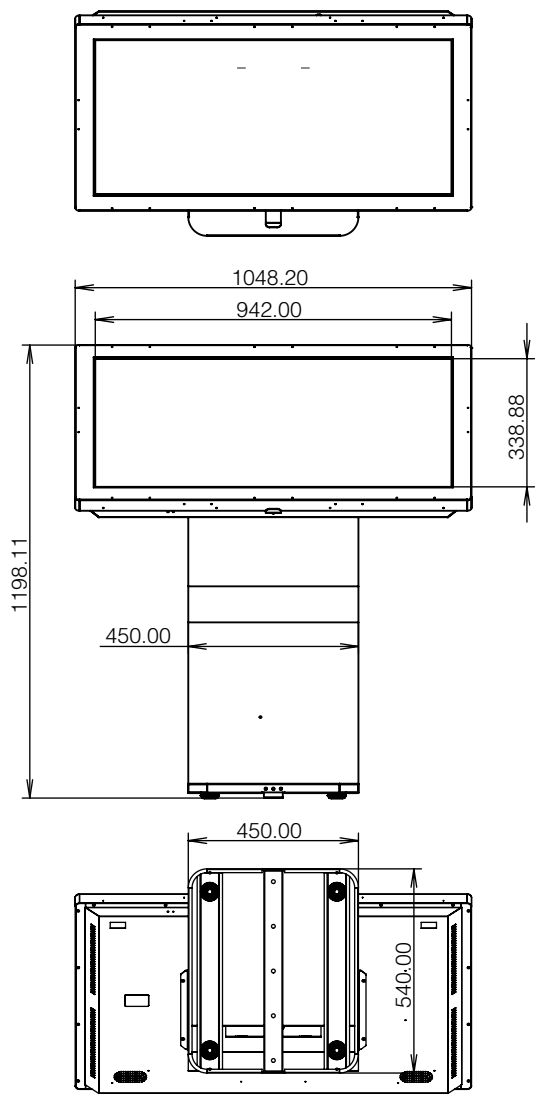
D


A

B

C

D



|   |                                      |  |                          |
|---|--------------------------------------|--|--------------------------|
| Material:<br>Steel  | Finish<br>Powder Coated White/ Black | Drawn by:<br>David Knight  | Date:<br>17-12-19        |
| Description:<br>Modern 42" Freestanding Multi Touch Kiosk |                                      |  <b>blackbox-av</b>   |                          |
| Drawing title:<br>Modern42-Freestanding-Multi-Touch-Kiosk |                                      | Copyright:<br>© Copyright Blackbox-av<br>Blackbox-av, 13 Mardon Park, Central Avenue, Baglan<br>Energy Park Port Talbot, SA12 7AX United Kingdom | Sheet size:<br><b>A3</b> |
|   |                                      |  | Scale:<br><b>1:1</b>     |

1 2 3 4 5 6