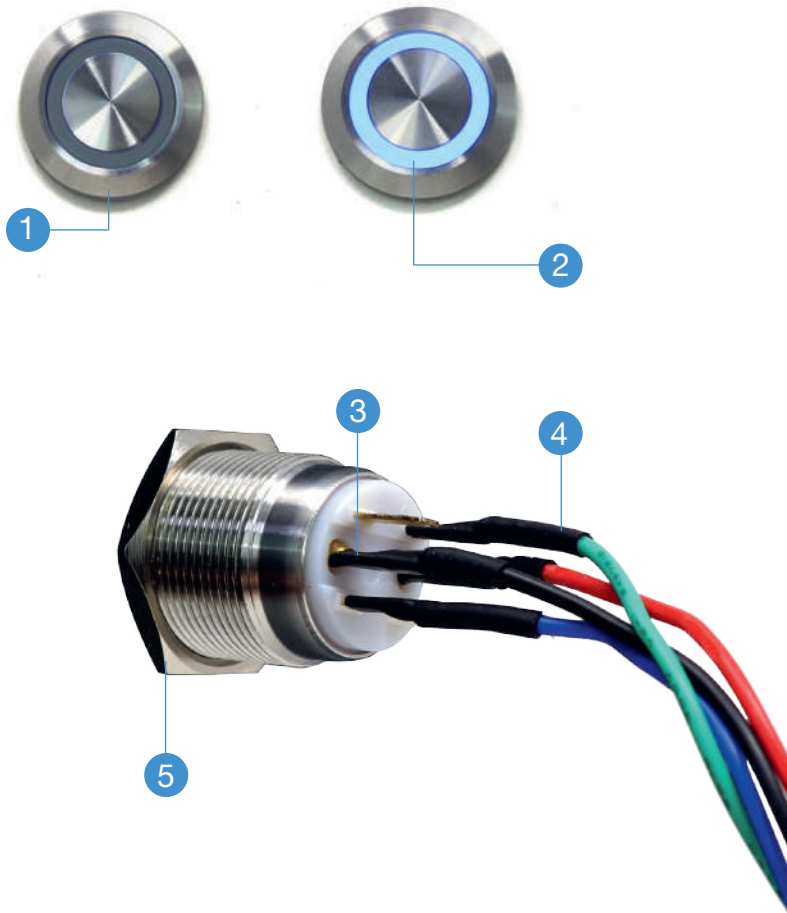


## Illuminated Button



**1 SoundClip / VideoClip HD6 Configuration**

Used alongside our media players, allows visitors to activate content via buttons.

**2 Colour Options**

Available in blue, white, red & green.

**3 Power**

Power the button by using the black & red wires.

**4 Contact**

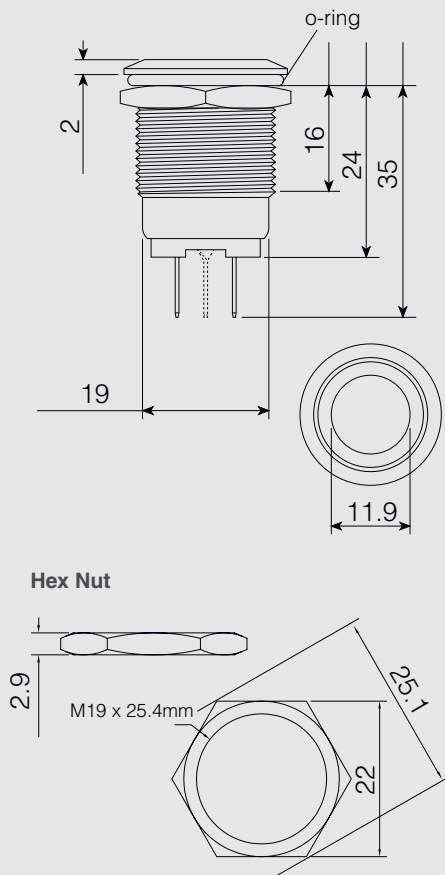
To utilise the normally open contact, simply use both green & blue wires.

**5 Lock Nut**

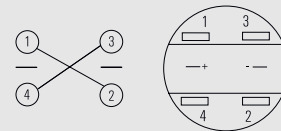
Lock your Button into place with the provided nut.

# Technical Information

<b>Weight</b>	0.062Kg
<b>Dimensions (Button)</b>	25.1W x 34.2D x 22Hmm
<b>Cable Length</b>	Approx. 2M
<b>Type</b>	L19-F/R - Ring
<b>Terminal</b>	Wire
<b>Max. Switch Rating</b>	Ith: 5A, UI: 250VAC
<b>Contact Resistance</b>	≤50mΩ
<b>Insulation Resistance</b>	≥1000m Ω
<b>Dielectric Strength</b>	2000VAC
<b>Operation Temperature</b>	-20°C ~ +55°C
<b>Mechanical Life</b>	1,000,000 Cycles
<b>Electrical Life</b>	50,000 Cycles
<b>Contact Material</b>	Silver Alloy
<b>Torque</b>	5 ~ 14Nm
<b>Operation Pressure</b>	≈4N
<b>Included</b>	1 x Illuminated Button

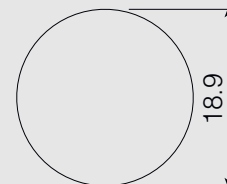


## Operation

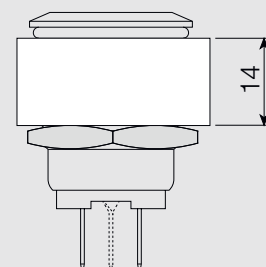


1,2 = NC  
3,4 = NO  
+,- = LED

## Suggested Panel Cutout



## Max. Panel Thickness



## Related Products



Push Button



VideoClip-HD8



Heavy Duty Handset



SoundClip-2



Email: [sales@blackboxav.co.uk](mailto:sales@blackboxav.co.uk)  
Tel: +44 (0)1639 874100