

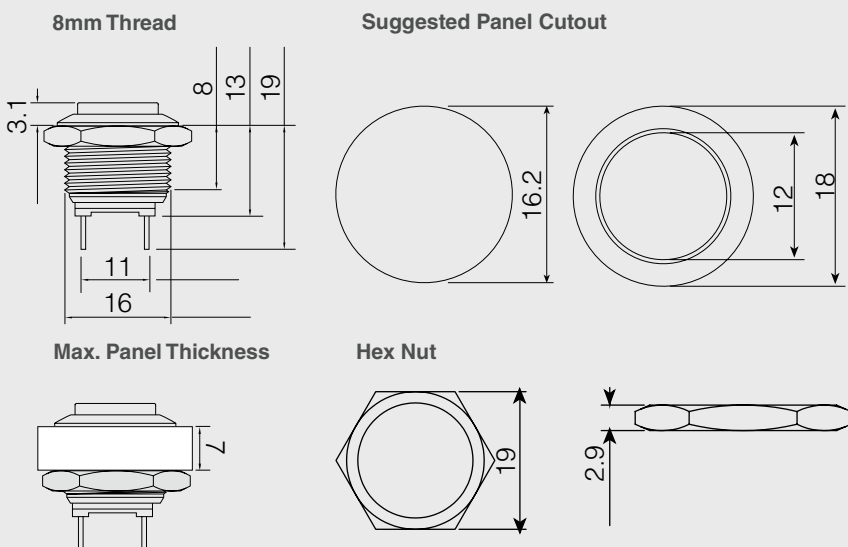


## 16mm Black Push Button



- 1 SoundClip/VideoClip Configuration**  
Use with your own device or alongside our range of media players.
- 2 Contact**  
The Black Push Button is configured for normally open (n/o) operation.
- 3 Lock Nut**  
Easily installed with the provided nut & o-ring.

## Technical Information



<b>Weight</b>	0.1Kg
<b>Dimensions</b>	19W x 19D x 15.7H
<b>Cable Length</b>	2M
<b>Max. Switch Rating</b>	2A 48VDC
<b>Contact Resistance</b>	≤50mΩ
<b>Insulation Resistance</b>	≥1000m Ω
<b>Dielectric Strength</b>	2000VAC
<b>Operation Temperature</b>	-20°C ~ +55°C
<b>Mechanical Life</b>	1,000,000 Cycles
<b>Electrical Life</b>	200,000 Cycles
<b>Contact Material</b>	Silver Alloy
<b>Torque</b>	5 ~ 14Nm
<b>Operation Pressure</b>	≈4N
<b>Included</b>	1 x Black Push Button

# Related Products



16mm Push Button



VideoClip-HD8



Illuminated Button



SoundClip-2



Email: [sales@blackboxav.co.uk](mailto:sales@blackboxav.co.uk)  
Tel: +44 (0)1639 874100