



BBPC-i7 Mini Desktop PC

Manual

Safety Guide

Read this guide carefully before using or installing the product.

Preventing accidents and protecting the health of the user of the Headphones

- If there is damage to the power supply in any way, arrange for a replacement unit by contacting blackbox-av. They may require you to send the defective power unit back so in this case do not dispose of the power supply unless prompted to do so. If you wish to source your own power supply a CE or FC certified double insulated and regulated supply is required. Using a power supply with a high voltage will irreparably damage the PC.
- Over time, monitor the product to ensure there is no damage caused by deliberate vandalism which could harm other users.

Preventing damage to the product and malfunctions

- As the product is not water-resistant install in a dry place where excessive liquid ingress may not occur.
- Clean the product regularly with a soft dry cloth or anti bacterial wipe.
- Only use this product with good quality equipment with a dedicated headphone connection. Damage caused by defective audio equipment will void the warranty.

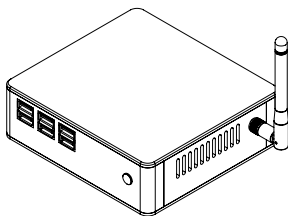
Warranty

Blackbox-av provides a 12 month warranty with this product. For further information or advice please contact **info@blackboxav.co.uk**

Your new BBPC-i7

In the Box:

1. BBPC-i7
2. DC Power Supply
3. VESA Mount
4. Fixing Screws
5. WiFi Antenna
6. Manual

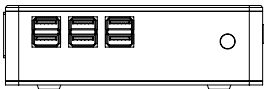


BBPC-i7

The high spec BBPC-i7 is a great desktop alternative compared to standard tower computers. The compact Mini PC saves you plenty of space and is mountable via supplied VESA.

High Performance

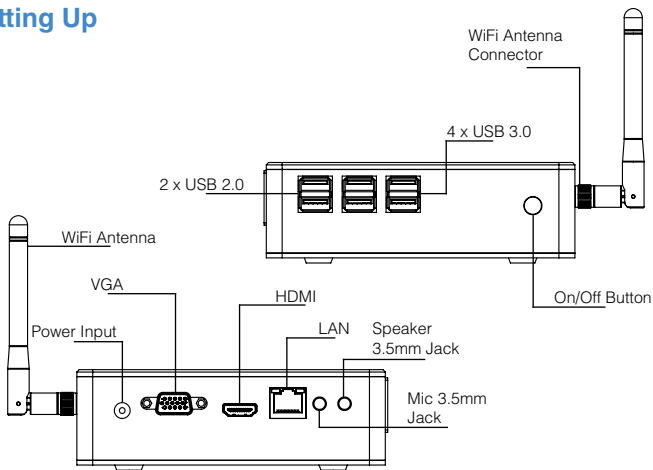
The BBPC-i7 is powered by a fast Intel Core i7 processor with 8GB RAM and 240GB SSD. The device can also output to a display in 4K Ultra HD resolution.



Windows 10 Pro OS

Supplied with the reliable Windows 10 Pro Operating System.

Setting Up



Overview

WiFi Antenna

Screw on the supplied Antenna to receive a fast and stable WiFi signal.

Power Input

Connect your supplied 12V DC adapter to the 'DC-12V' input to give power to the device. Simply turn on via the button.

HDMI & VGA

To connect to an external display, simply connect one end of the HDMI/VGA cable to the HDMI/VGA outputs on the back of the device. Connect the remaining end to the HDMI/VGA slot on your display.

LAN Connection

If you require wired internet access, simply connect an ethernet cable to the onboard port.

3.5mm Jack

Output any headphones / speakers through the 3.5mm Audio Out Jack. Input a Microphone via the other port.

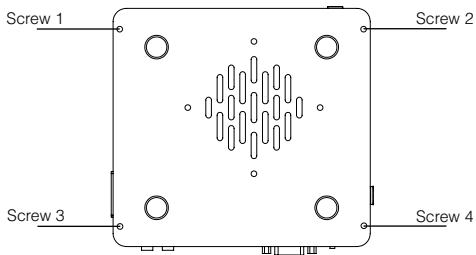
USB Connections

The BBPC-i7 offers 2 x USB 2.0 and 4 x USB 3.0 - ensuring a fast connection for any peripherals or accessories.

Customising your BBPC-i7

If you wish to customise the BBPC-i7, you will need to access the device from the underneath. Simply undo the 4 rear screws to gain access.

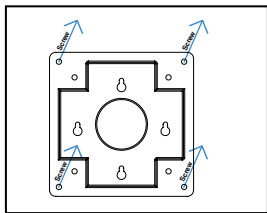
Note: Customising the BBPC-i7 will invalidate the blackbox-av warranty.



VESA Installation

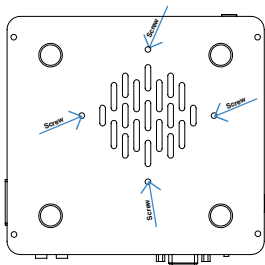
If you wish to mount the BBPC-i7, follow the steps below:

1. Fitting to a Surface



M4 x 8mm fixing machine screws are supplied to fit into VESA fixings of monitors other alternative screws may be needed if fitting elsewhere.

2. Screwing the BBPC-i7



Using the supplied M3 stand-off screws, follow the reference above. Once complete, lock into the VESA Mount.

Technical Information

Unit Weight	0.63Kg
Package Weight	1.2Kg
Package Dimensions	195 x 187 x 98mm
Unit Dimensions	136 x 126 x 44.30mm
Processor Brand	Intel
Processor Model	i7-7500U
Processor Main Frequency	2.70GHz
Graphics Card Type	Integrated Card
Graphics	Intel HD Graphics 620
Hard Drive Capacity	240GB
Storage	mSATA SSD
Ethernet	10/100/1000M Gigabits LAN
4K Support	Yes
Video Output	HDMI, VGA
Audio Output	3.5mm Jack
OS	Windows 10
Internal Memory	8GB
WiFi	802.11b/g/n, 300M

Technical Drawings

