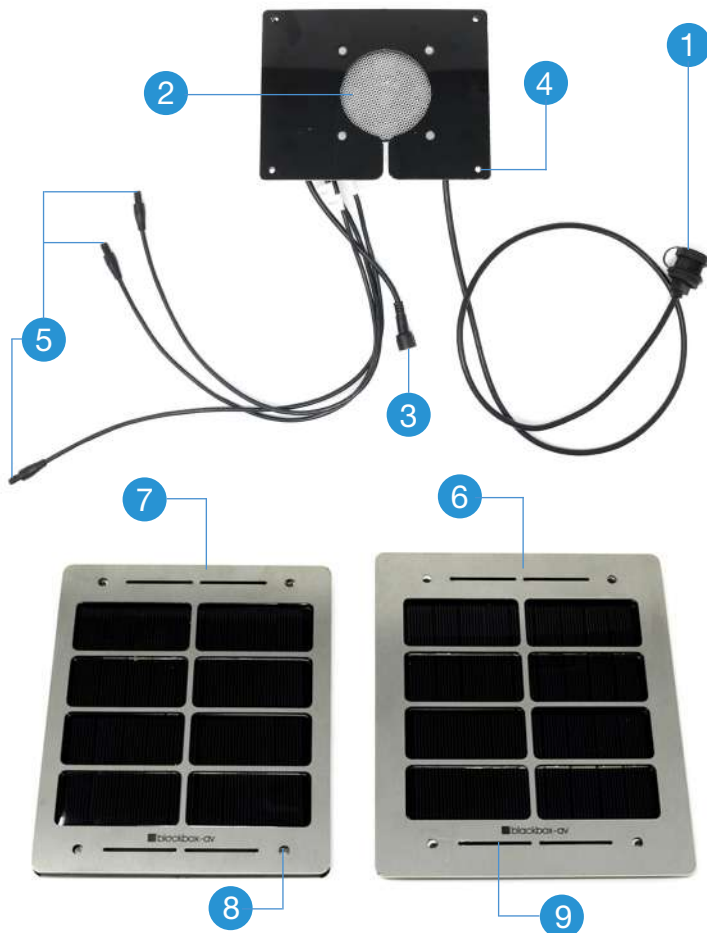


AudioSign - Electronics

Product Code: AS-E



- 1 Programming**
Add content to the AudioSign with the supplied USB Stick connected to the flying USB lead.

- 2 Speaker Grill**
Outputs 1 W into an 8Ω speakers.

- 3 Activation Button Cables**
Connect 1 or 2 buttons to the AudioSign electronics via these cables. Play up to 6 tracks across 2 buttons.

- 4 Fixing Holes (Unit)**
Rear mount the AS Electronics unit which includes playback device and speaker.

- 5 Solar Panel Cables**
Connect 2 or 4 recessed or surface mounted Solar Panels via these cables.

Options

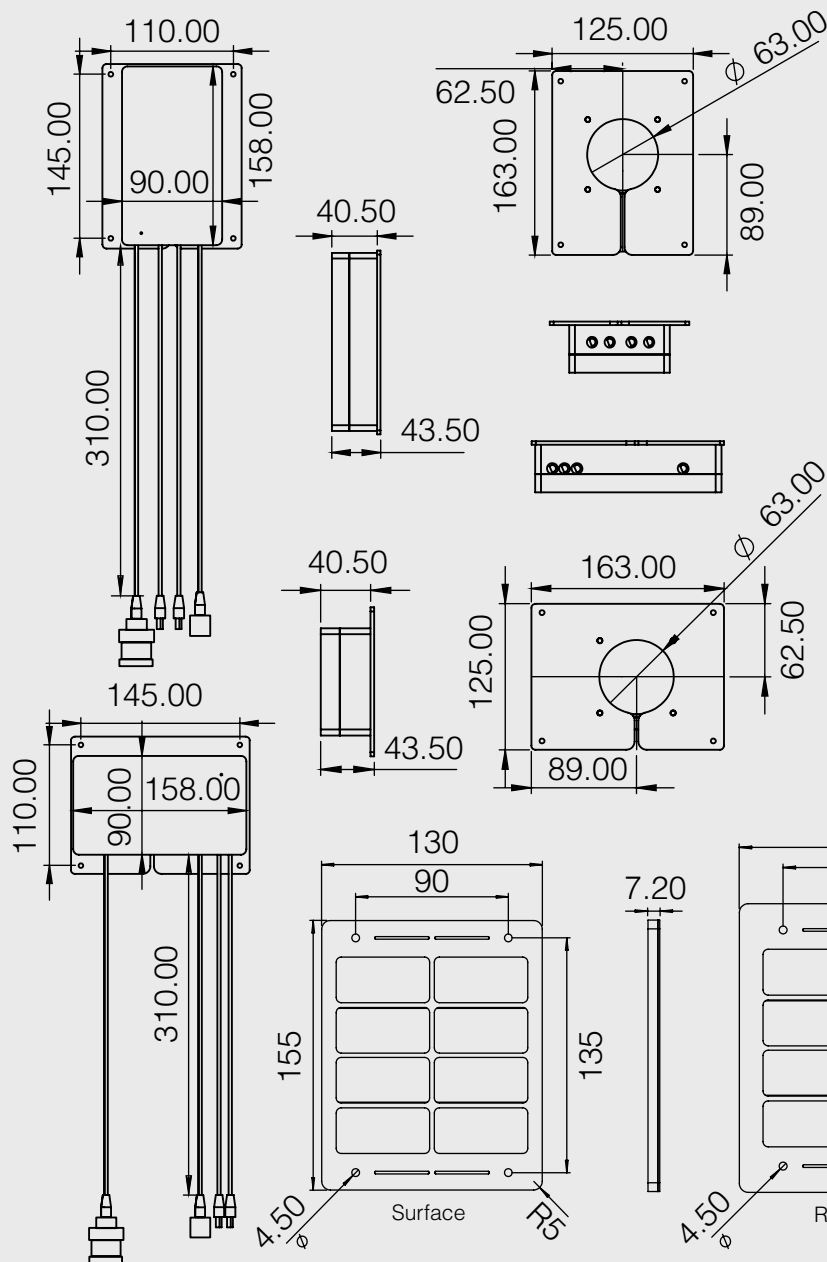
- 6 Recessed Solar Panels**
Choose these Solar Panels for a recessed mounting option.

- 7 Surfaced Solar Panels**
Choose these Solar Panels for a surface mounted option.

- 8 Fixing Holes (Solar Panel)**
Both options are secured in place via fixing holes.

- 9 Drainage Holes**
These slits allow water to drain from the panels. The electronics are weather proof but should never be submerged.

- ✓ Playback Statistics**
Access playback statistics via the USB interface.



Weight	1.5Kg
Dimensions (Front Panel)	125 (W) x 163 (H) x 3 (D) mm
Dimensions (Back Casing)	90 (W) x 158 (H) x 40.5 (D) mm
Dimensions (Surfaced Solar Panel)	130 (W) x 155 (H) x 7.20 (D) mm
Dimensions (Recessed Solar Panel)	140 (W) x 165 (H) x 7.20 (D) mm
Power	4 built-in Solar Panels charging long life batteries up to 200mA per hour (+/- 10%)
Message Storage	16MB Flash Memory (on board)
Maximum No. of Messages	6
Message Encoding Format	.MP3
Maximum Total Message Length	16 Minutes @ 128kbs
Programming Transfer Rate	Approx. 20 Seconds per MB of message
Audio Output	1W into 8Ω Speaker
Frequency Range	75Hz - 20KHz
Included	1 x AudioSign - Electronics, 1 x USB Stick

Related Products



Solar Audio Post - Metal



U-Turn Round



Solar Audio Post - Wooden



Audio Bench - Heavy Duty