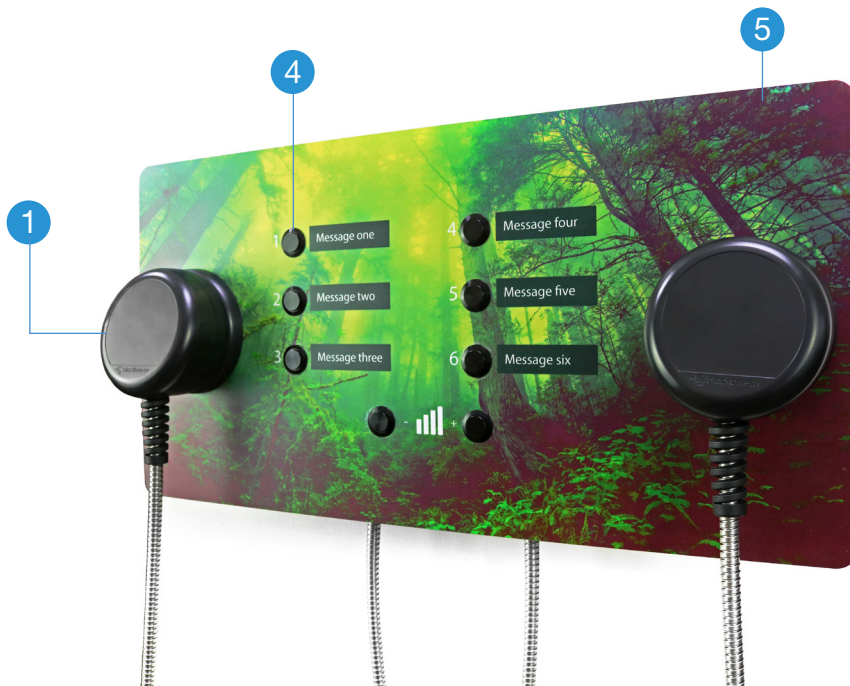




Audio Frame



1 Audio Output
Fitted with two high-grade HDH's, offering a great dynamic range. Alternatively supplied with 2 x Speakers.

2 Easily Updatable
Update your audio tracks via the rear MicroSD port.

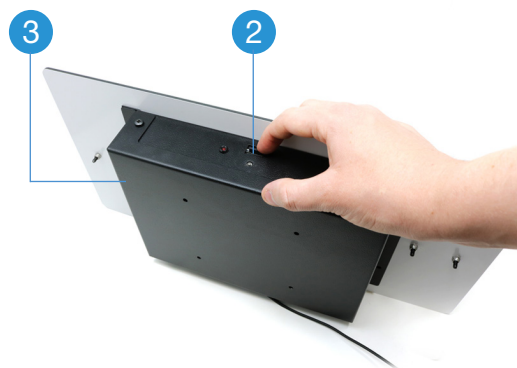
3 Mounting with Ease
Fit to a flat surface using the VESA mountable backplate.

Options

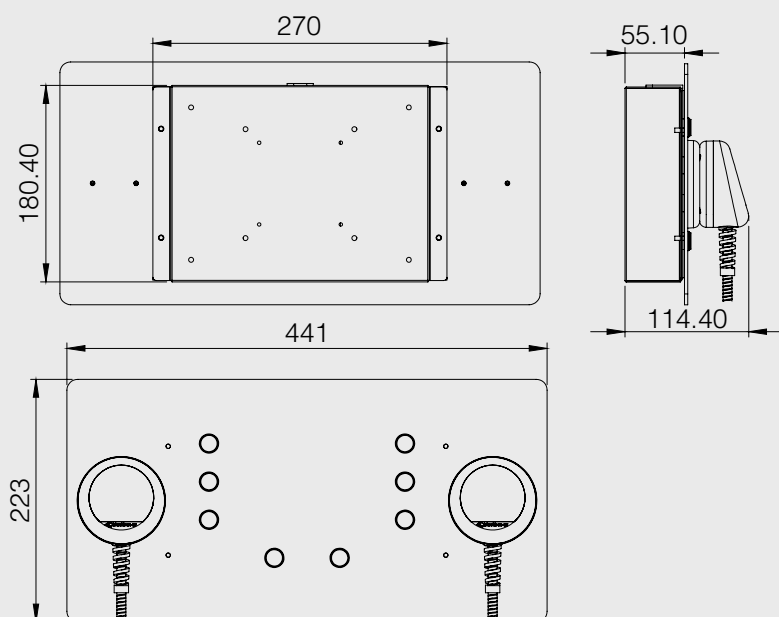
4 Up to 8 Buttons for Audio Playback
Activate a number of audio tracks with up to 8 push buttons. Control the volume via an extra 2 buttons.

5 Front Panel Artwork
Design the front panel artwork yourself, or we can do it for you.

6 Heavy Duty Handset Artwork
Customise the handsets with full colour branding labels.



Technical Information

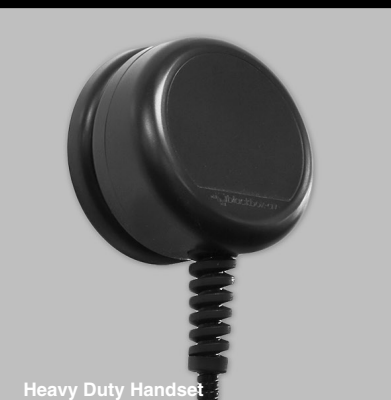


Weight	2Kg
Dimensions	55.10 x 441 x 223 mm
Power Input	DC12V 2A
Audio Output	1 or 2 Handsets / or 2 built in Speakers
Button Inputs	Up to 8 activation buttons (as well as optional volume controls)
Playable Format	Audio: .MP3
Storage	MicroSD Card (128MB Supplied)
Max. Number of audio files	99
Input Power for Heavy Duty Handset	Rated: 30mW - Max: 50mW
Input Power for Speakers	5W
Button Size	16mm
Screw Sizes	75x75 M3, 100x100 M4, 200x140 M4
VESA Mount Size	75x75, 100x100, 200x140
Included	1 x Audio Frame, Optional Handset Branding Labels

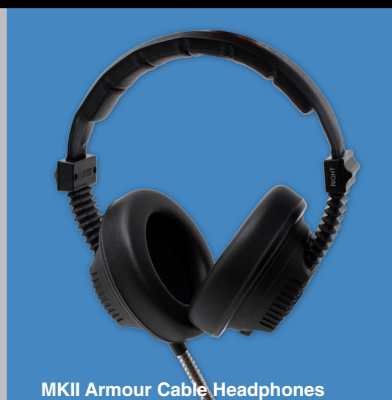
Related Products



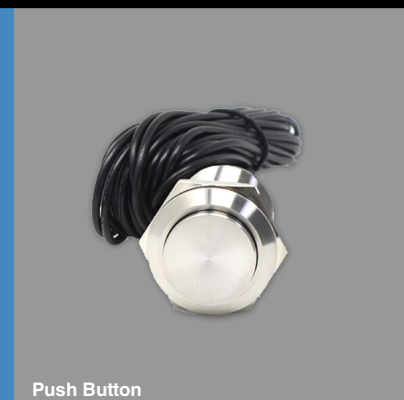
SoundClip-2



Heavy Duty Handset



MKII Armour Cable Headphones



Push Button