

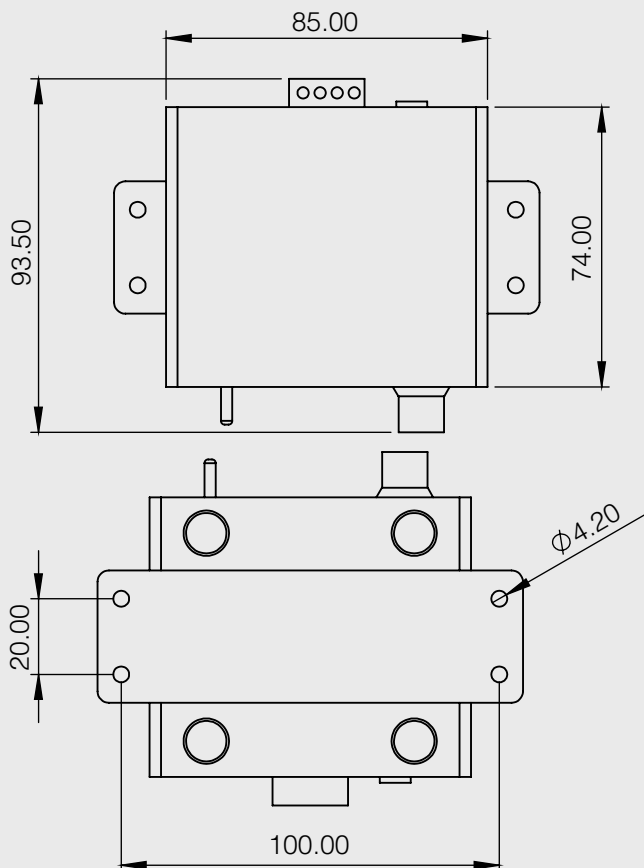


20W (per channel) Stereo Amplifier

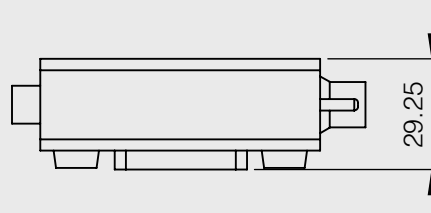


- 1 Power Supply**
Simply connect the DC12V to give power to the device.
- 2 Channel Outputs**
The device offers two stereo speaker channels. Simply connect to a right and left channel output.
- 3 3.5mm Audio In**
Connect your audio playback device to the Audio Input via the supplied aux cord.
- 4 Volume Control**
Adjust your speaker playback with the volume controller.
- 5 Audio Device Out**
Connect your headphones to the phones output (you can't output to both speakers and headphones).
- 6 Power Switch**
Connect the Power Supply, and activate the switch to power on the device. The LED will light up when turned on.

Technical Information



| | |
|---|--|
| Unit Weight | 0.3Kg |
| Unit Dimensions | 95D x 85W(112 with fixing wings) x 29Hmm |
| Input Power | DC 12-14V 2A |
| Output Power | 4 Ω ~20W |
| Speaker Impedance | 4~8 Ω |
| Frequency Response | 20Hz ~ 20kHz |
| Total Harmonic Distortion | <0.4% |
| SNR | >80dB |
| Included | |
| 1 x 20W Stereo Amplifier, 1 x Power Supply, 1 x Auxiliary Cord, Optional Fixing Wings | |



Related Products



Atmospheric Speaker



Heavy Duty Handset



4" Mini Box Speakers



MKII Headphones



Email: sales@blackboxav.co.uk
Tel: +44 (0)1639 874100