



10" AV Point - Traditional

Manual

Contents

Safety Guide	3
Your new 10" AV Point - Traditional.....	4
Setting Up	5
Overview.....	5
Formatting	6
Programming	7
Technical Information.....	8
Technical Drawings.....	8

Safety Guide

Please observe the following when installing this device.

Warning

- This product is not designed to be resistant to moisture or excessive dirt/dust. When deciding on a suitable installation point ensure there is reasonable protection from environmental damage.
- If there is damage to the power supply in any way, arrange for a replacement unit by contacting blackbox-av. They may require you to send the defective power unit back so in this case do not dispose of the power supply unless prompted to do so. If you wish to source your own power supply a CE or FC certified double insulated and regulated supply is required.
- Do not place the unit in direct sunlight for prolonged periods as this may cause the product to overheat.
- For disposal of old electrical equipment please follow the guidelines associated with your country/territory or ship the unit back to blackbox-av and we will dispose/recycle the unit. The symbol on the left indicates that this product shall not be treated as household waste.



Instead it shall be handed to an applicable collection point for the recycling of electronic equipment. If you dispose of this unit correctly you will be helping prevent future harm to the environment which is caused by poor waste management of this type of equipment. If the screen has been damaged take extra care to prevent the LCD liquid from leaking out of the unit and wrap in a strong plastic bag with no holes.

Precautions of Use

- Whilst the unit is connected to a mains outlet and the power is switched on it is providing energy for operating the device. If the unit is not being used for long periods of time it is recommended to turn off the power as it will prolong the life of its electronic circuitry.

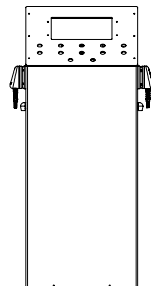
Your new 10" AV Point - Traditional

In the Box

1. 10" AV Point - Traditional
2. 12V Power Supply
3. 4GB USB
4. Heavy Duty Handset(s) (Optional)

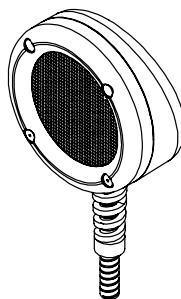
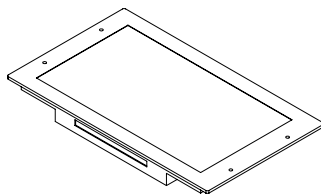
Traditional AV Point

The 10" AV Point - Traditional combines a 10" Open Frame Video Screen, optional Heavy Duty Handset's or speaker and 12 Button Connections all built into a wooden unit.

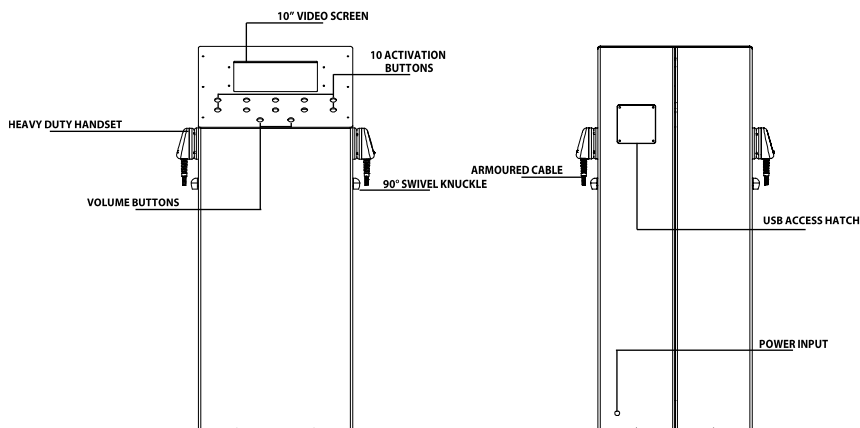


Optional Heavy Duty Handset

The unit is supplied with Speakers or 1-2 Heavy Duty Handset(s). Providing the 10" AV Point - Traditional with superb dynamic audio.



Setting Up



Overview

Power Input

The AV Point is powered by a 12V Power Supply.

USB Access Hatch

Content is stored via USB which is connected within the Access Hatch. For information on how to program your content see Page 8.

Button Connections

Content is activated via 10 buttons. With a separate dedicated volume + and -.

90° Swivel Knuckle (Handsets)

The Armoured Cable is anchored to the 10" AV Point – Traditional with a 90° swivel knuckle and stainless steel plate.

Armoured Cable (Handsets)

The 8mm thick, 1.35m long, stainless steel braided armoured cable protects an internal audio cable.

Formatting

Converting your Content

Before putting the content onto USB it needs to be in the right format as listed below. Your USB must be formatted to FAT32.

Below are the file type requirements.

Video	Category	Codec/FourCC	Max Res	Max Bitrate
	MP4	MP4	1920x1080 30fps	10M
Photo	Sub Type	Codec	Max Res	Size
	JPG	YUV400 YUV420 YUV422 YUV440 YUV444	1920x1080	No Limit
Audio	Category	Codec	Sample Rate	Bitrate
	MP3	MP3	8-320Khz	32Kbps- 448kbps

Image Playback

For optimal image playback we recommend images be 1920x1080 pixels saved as a JPEG.

Video Playback

For optimal video playback it is recommended that your video is 1920x1080 pixels and runs at 30 frames per seconds in MP4

Audio Playback

For optimal audio playback it is recommended that your audio file is formatted to MP3 and has a bitrate of 44.1Khz.

Programming

Once you have edited and converted your content into the correct format you will need to put these on the USB.

The file names of your content will determine how it is activated.

The USB will be pre-programmed with a template, when loading your content make sure to delete these files. It's recommended that you store the template files on your computer for future reference.

Should you need to use a different USB Stick we suggest you format the new USB to 'FAT32'

To program your content you will need;

1. A PC or laptop with Windows OS
2. Correctly formatted content
3. USB Stick (Supplied)

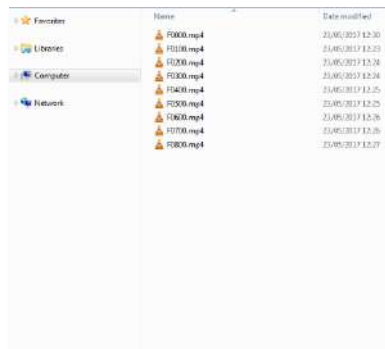
1. Windows OS

Windows OS is required to program your AV Point using a PC or laptop (xp – 10).

MacOS is not supported due to hidden files generated by the OS.

2. Your Content

Place all your formatted files into the root of the USB whilst renaming them like so. Each file is associated with a button. The 'F' at the beginning needs to be a capital as the player is case sensitive.



F0000 – Looping (Content begins automatically on startup)

F0100 – Button 1

F0200 – Button 2

F0300 – Button 3

F0400 – Button 4

...

F1000 – Button 10

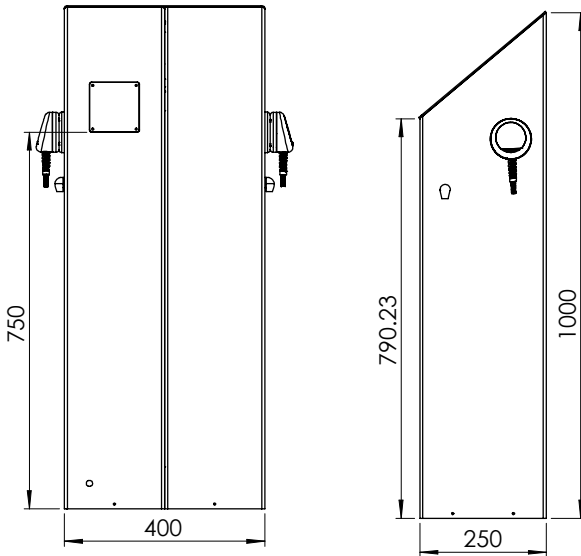
Within the above configuration the player will play: video F0000 as the loop. If button 1 is pressed it will play F0100. Once F0100 is complete, F0000 will resume unless a button is pressed.

Note: The loop is designed to be used for creating the button selection screen. This can be an image or video but must be named F0000.

Technical Information

Weight	29Kg
Dimensions	610 x 350 x 1030mm
Material	Oak base
Message Storage Medium	USB
Message Encoding Format	.MP3, .MP4 or .JPG
Power Supply	External 12V 2A

Technical Drawings



The logo for blackbox-av features a cluster of squares in various shades of blue and black to the left of the text. The text "blackbox-av" is in a lowercase, sans-serif font. Below the text, the words "audio", "video", and "interactive" are listed, each preceded by a small blue square.

blackbox-av
audio video interactive

The logo for the interpretationshop features a stylized graphic of a semi-circle with a gradient from light blue to dark blue/black on the left side. The text "the interpretationshop" is in a lowercase, sans-serif font, with "the" in a smaller size above "interpretationshop".

the
interpretationshop