

1 2 3 4 5 6 7 8

A

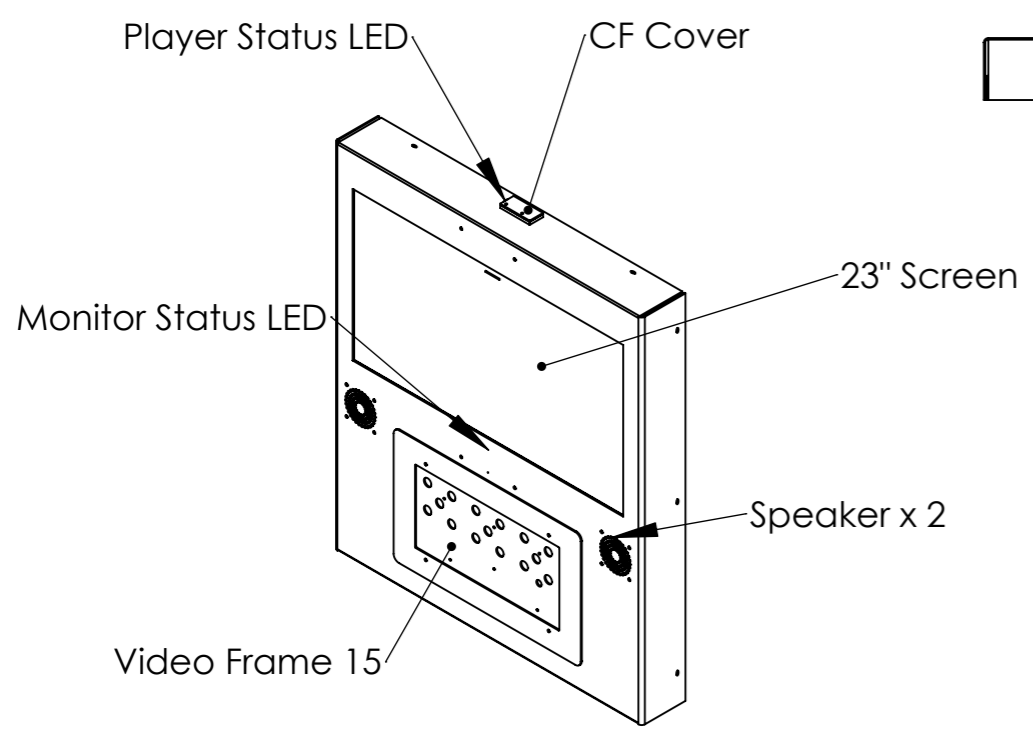
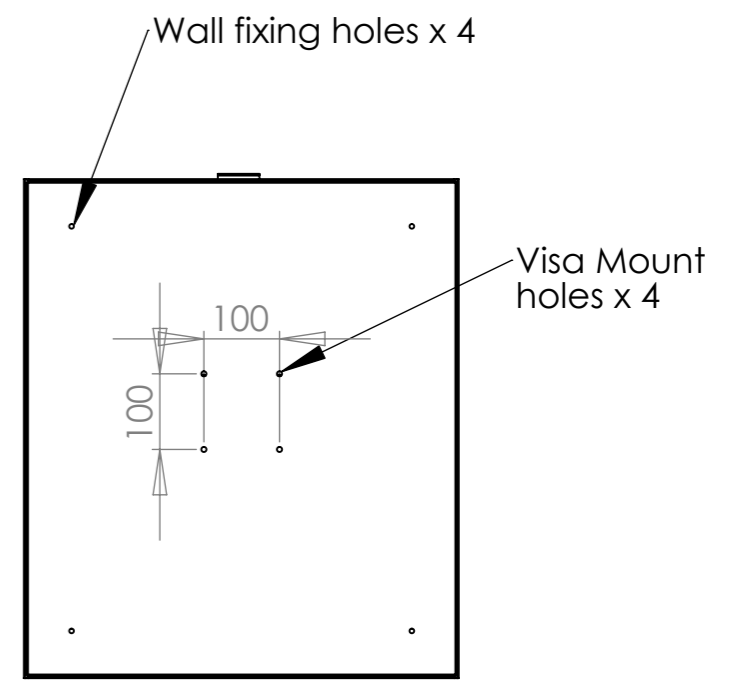
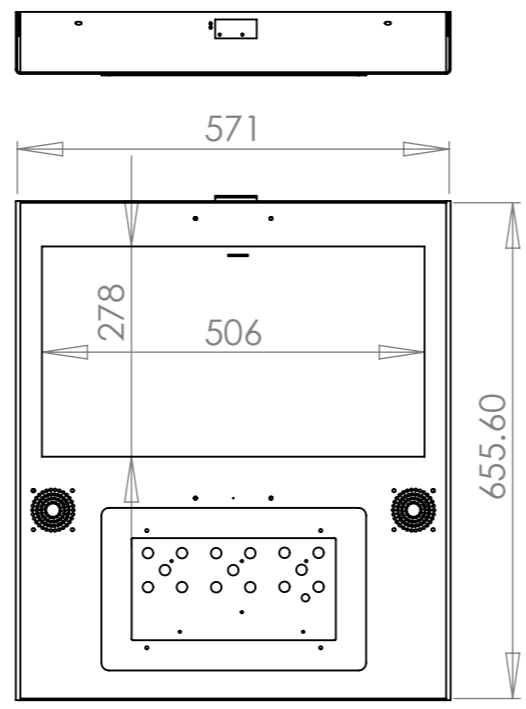
B

C

D

E

F



UNLESS OTHERWISE SPECIFIED: DIMENSIONS ARE IN MILLIMETERS SURFACE FINISH: TOLERANCES: LINEAR: ANGULAR:				FINISH:  Black powder coated Leatherette		DEBUR AND BREAK SHARP EDGES		DO NOT SCALE DRAWING		blackbox-av	
								www.blackboxav.co.uk		01639 767007	
								TITLE: <b>VF15 23" Assembly Drawing</b>			
DRAWN		David Knight		SIGNATURE		DK		DATE		20/09/11	
CHK'D		Chris D Crayford		SIGNATURE		CDC		DATE		20/09/11	
APPV'D				SIGNATURE				DATE			
MFG				SIGNATURE				DATE			
Q.A				SIGNATURE				DATE			
				MATERIAL:		2mm Steel		DWG NO.		VF15-assem-080812-v1	
				WEIGHT: Unknown				SCALE:1:10		SHEET 1 OF 1	
										A3 V1	

1 2 3 4