
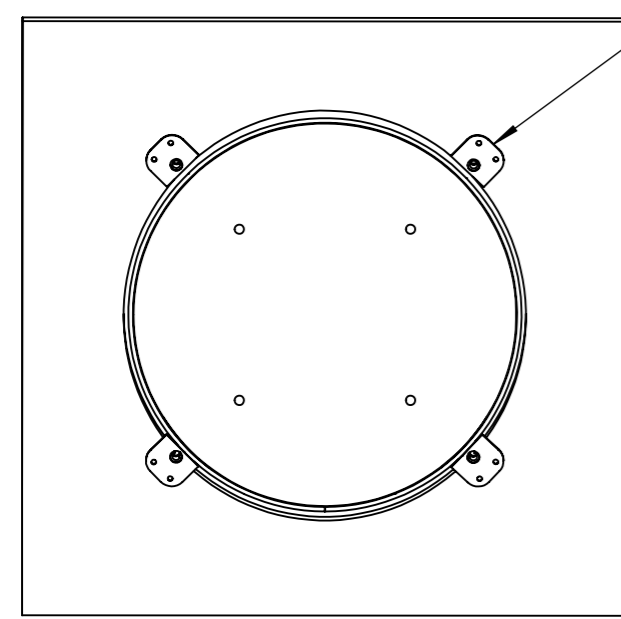
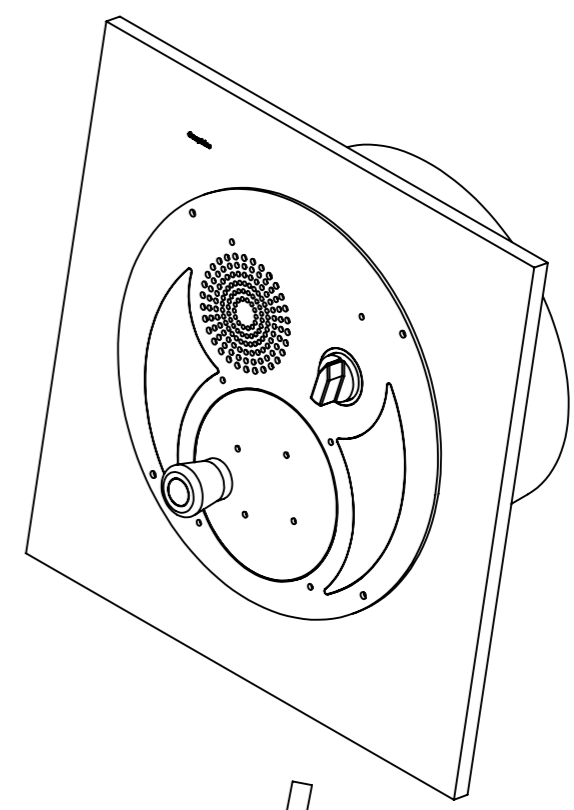
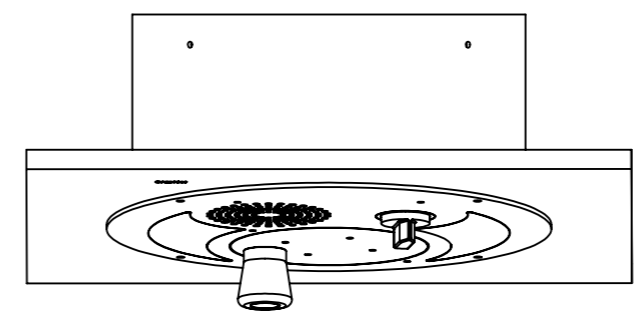
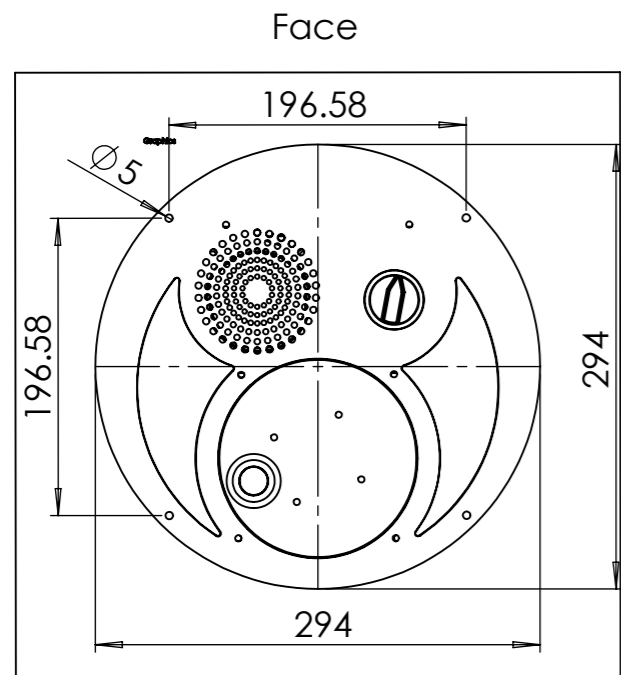
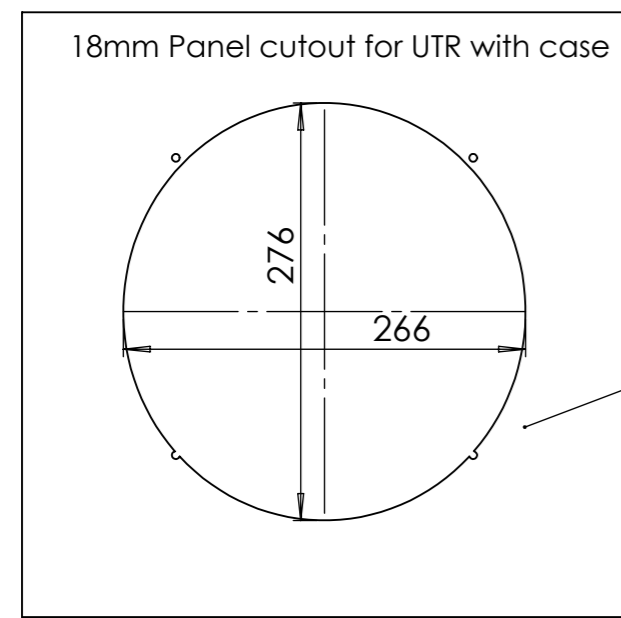
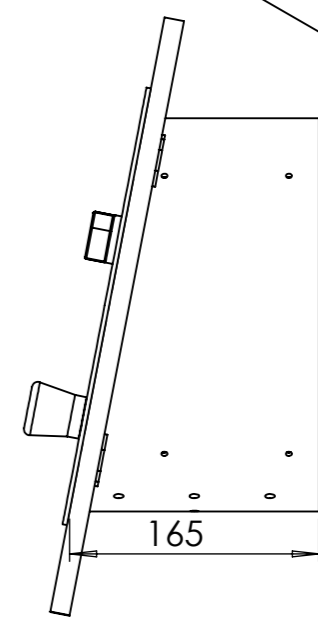
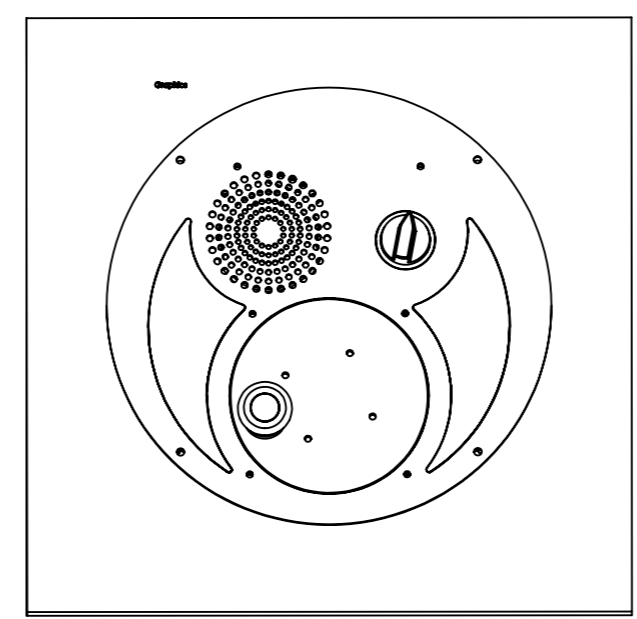
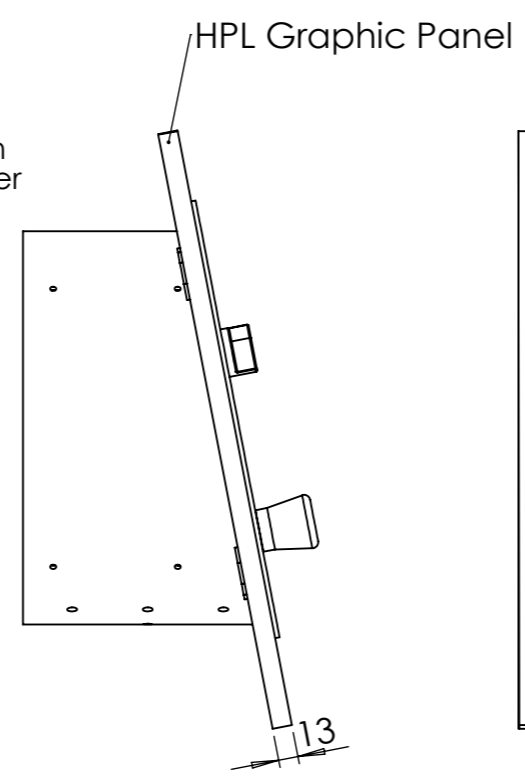


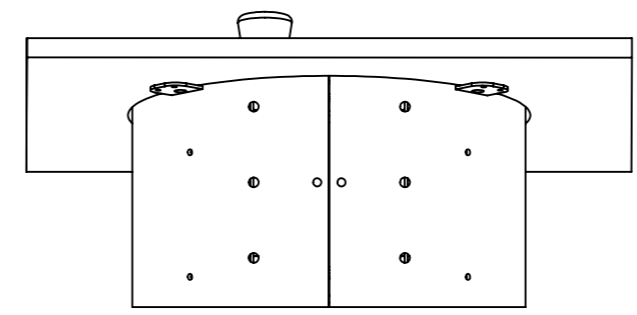
Material:	Finish	Drawn by:	Date:
NA	NA	David Knight	16-11-18
Description:		 <b>blackbox-av</b>	
UTR Oversize Panel with Rear Case			
Drawing title:		Copyright:	Sheet size: Scale:
UTR-oversize-with-case		© Copyright Blackbox-av Blackbox-av, 13 Mardon Park, Central Avenue, Baglan Energy Park Port Talbot, SA12 7AX United Kingdom	<b>A3</b> 1:5



UTR Clinch Nut Washer



Recomended for use with UTR Clinch Nut Washer



Material: NA	Finish NA	Drawn by: David Knight	Date: 16-11-18
Description: UTR Oversize Panel with Rear Case & Through Panel Graphic		<b>blackbox-av</b>	
Drawing title: UTR-oversize-with-case-through-panel		Copyright: © Copyright Blackbox-av Blackbox-av, 13 Mardon Park, Central Avenue, Baglan Energy Park Port Talbot, SA12 7AX United Kingdom	Sheet size: <b>A3</b>
		Scale: <b>1:5</b>	