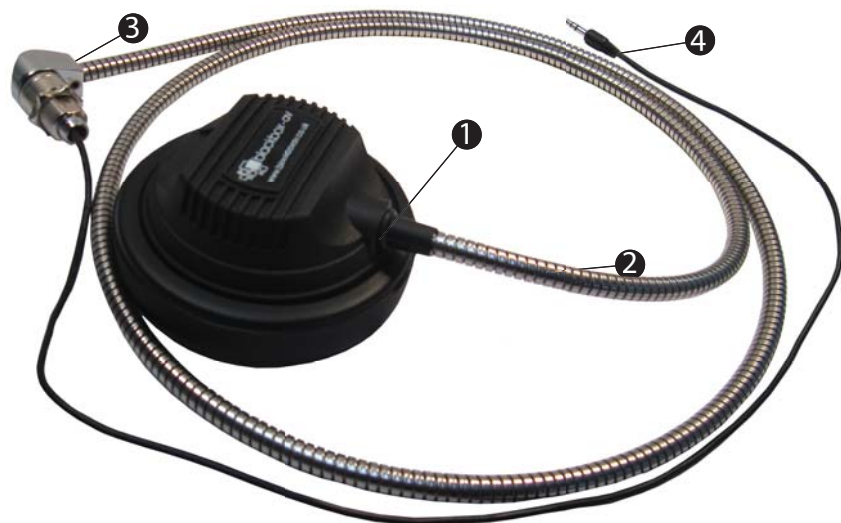


SINGLE CUP ARMoured HEADPHONE

A single cup armoured cable headphone purchase as standard includes:



- 1. Single Cup Headphone
- 2. 1100mm Armoured Cable
- 3. 90° Swivel Knuckle
- 4. 200mm Cable + 3.5mm or 6.5mm Jack



SPECIFICATIONS

Nominal Impedance:	100 Ohms (mono)
Armoured Cable Length:	1100mm
After fixing plate length:	200mm
Plug Type:	3.5mm or 6.5mm audio jack available
Ear pads:	Synthetic leather
Cable makeup:	3 core cable surrounded by steel braided armour
Weight:	210g (w/o bracket and holder)

Spare parts available: Replacement earphone pads

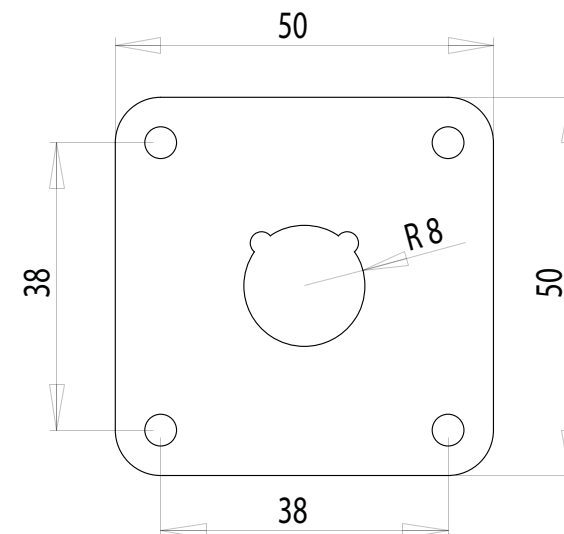
Wiring Specifications

Brown:	Screen
Yellow:	Left Channel
Grey:	Right Channel

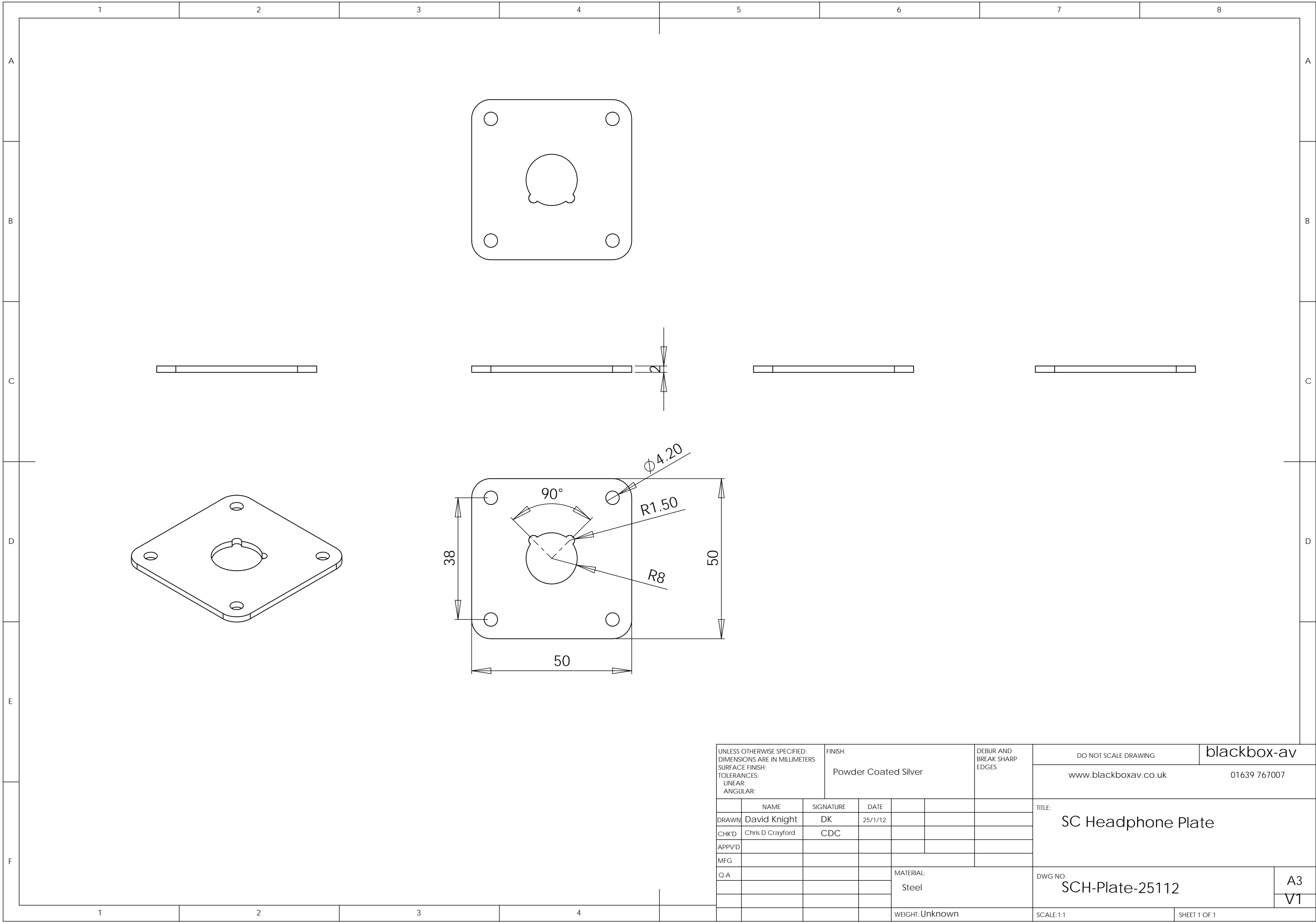
AVAILABLE ACCESSORIES



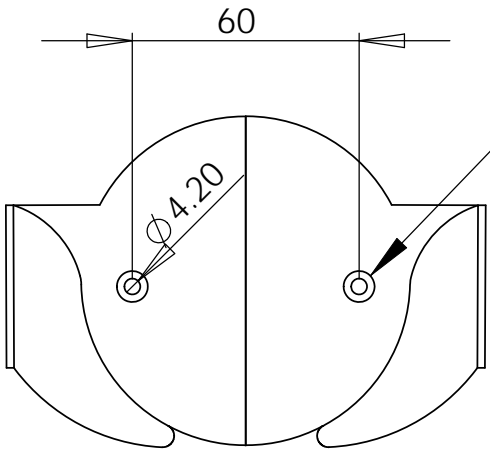
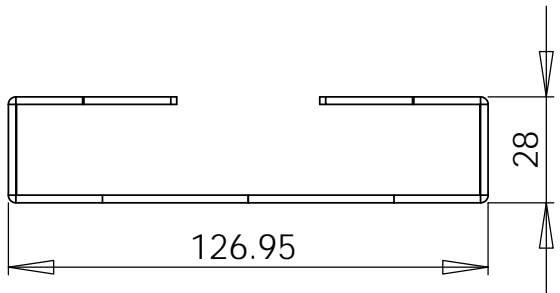
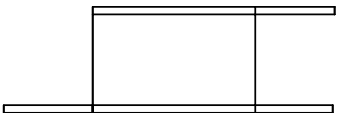
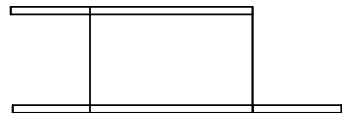
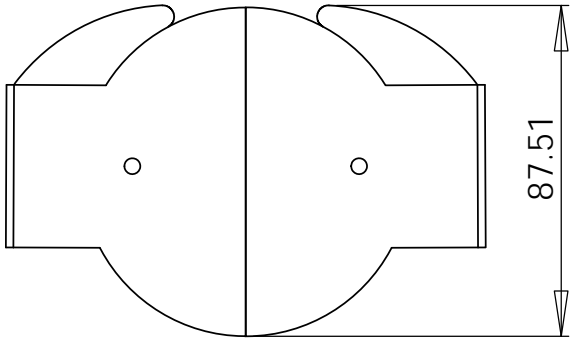
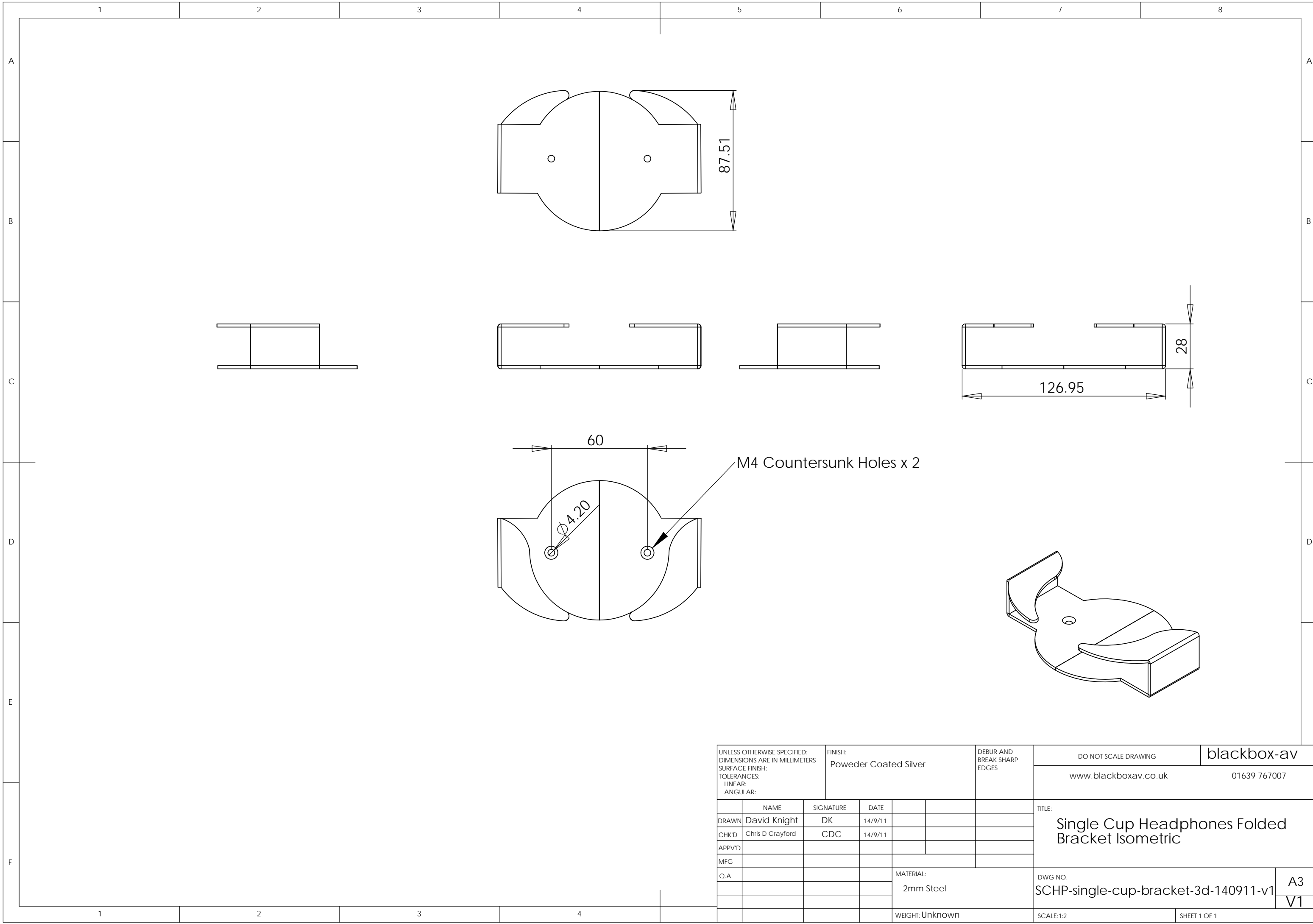
Headphone Hanger:
(Screw holes for headphone holder = 60mm. Recommended M4 screws)



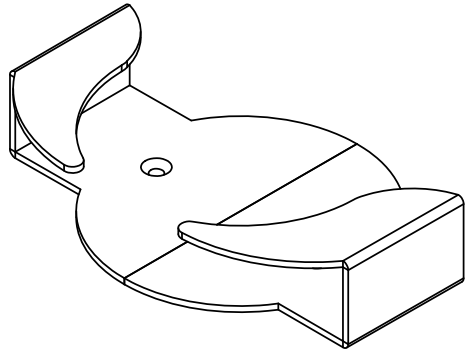
Knuckle Mounting Plate:



UNLESS OTHERWISE SPECIFIED: DIMENSIONS ARE IN MILLIMETERS SURFACE FINISH: TOLERANCES: LINEAR: ANGULAR:				FINISH: Powder Coated Silver		DEBUR AND BREAK SHARP EDGES		DO NOT SCALE DRAWING		blackbox-av		
								www.blackboxav.co.uk		01639 767007		
DRAWN David Knight DK 25/1/12								TITLE: SC Headphone Plate				
CHK'D Chris D Crayford CDC												
APPV'D												
MFG												
Q.A								MATERIAL: Steel		DWG NO. SCH-Plate-25112		A3 V1
								WEIGHT: Unknown		SCALE:1:1		SHEET 1 OF 1



M4 Countersunk Holes x 2



UNLESS OTHERWISE SPECIFIED: DIMENSIONS ARE IN MILLIMETERS SURFACE FINISH: TOLERANCES: LINEAR: ANGULAR:				FINISH: Poweder Coated Silver		DEBUR AND BREAK SHARP EDGES		DO NOT SCALE DRAWING		blackbox-av	
								www.blackboxav.co.uk		01639 767007	
								TITLE: Single Cup Headphones Folded Bracket Isometric			
DRAWN: David Knight				DK		14/9/11					
CHK'D: Chris D Crayford				CDC		14/9/11					
APPV'D:											
MFG:											
Q.A:								MATERIAL: 2mm Steel		DWG NO. SCHP-single-cup-bracket-3d-140911-v1	
								WEIGHT: Unknown		SCALE:1:2	
										SHEET 1 OF 1	
										A3 V1	