

SingleCup Headphones & Magnetic Hanger

Manual v1.1



Nov 2018

Contents

| | |
|---|---|
| 1. What is the SC? | 3 |
| 2. Identifying your Headphone | 4 |
| 3. Connecting to SoundClip / Audio Device | 4 |
| 4. Installation | 5 |
| 4.1 Optional Teardrop | 6 |

Thank you for purchasing the Singlecup headphone

The SC is one of a range of products we offer specific to the heritage marketplace. We are confident that we have other products you will find useful and look forward to hearing from you again soon.

T: +44 (0)1639 767007 | **W:** www.blackboxav.co.uk

1. What is the SC?

The Singlecup headphone is a rugged and durable headphone system with modern magnetic holder. It is easily installed and provides high quality audio in public and commercial environments.

The Headphone is magnetically attached to the wall mounted holder when not in use.

2. Identifying your Headphone

You will be able to identify whether your headphone has AutoPlay functionality through the existence of the **dimple** shown in the image below.



Without Dimple

Standard



With Dimple

AutoPlay

3. Connecting to SoundClip / Audio Device

Connecting the SC to our range of SoundClip audio players (or audio devices of your own) couldn't be easier. Simply plug the 3.5mm Jack into an available output.

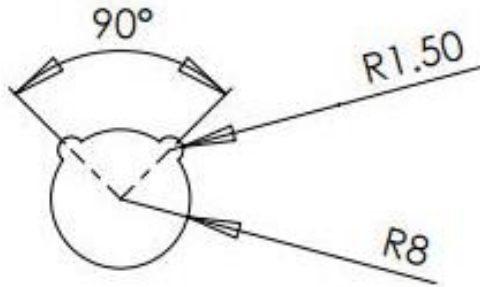


4. Installation

The magnetic hanger needs to be mounted flush to a surface to allow the headphones to sit securely - the headphone icon displayed on the hanger should be installed right way up.

All headphones are supplied with a 90° knuckle which provides additional stability to the armoured cable via it's through panel installation point (see image above)

A cutout for the knuckle will need to be made to the following measurements (in mm).



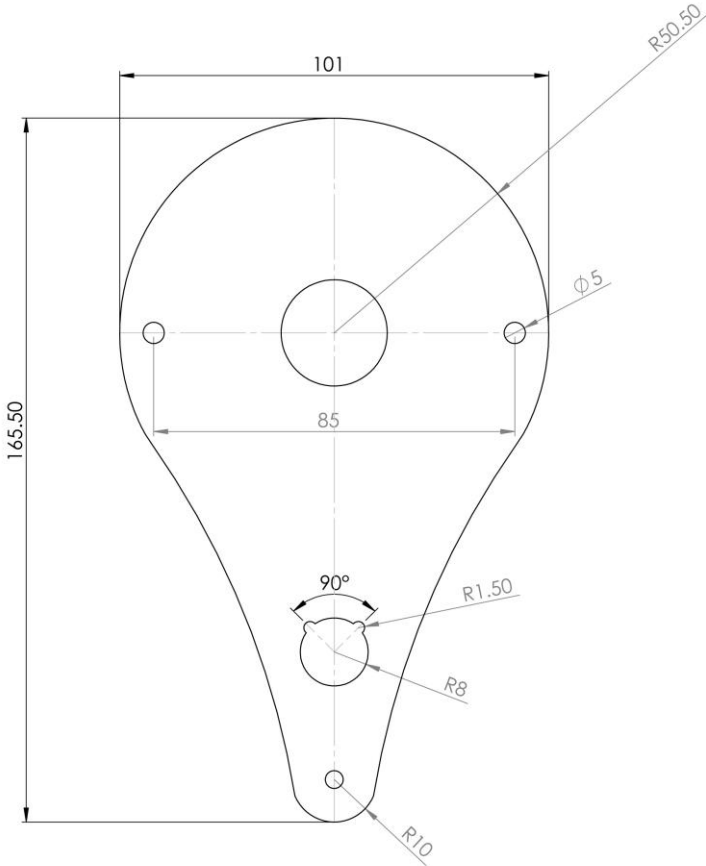
This secures the otherwise weak point should the cable simply be fed through the panel.

4.1 Optional Teardrop

The SC can be supplied with a Teardrop mounting plate which combines both the Knuckle and Magnetic Hanger into a compact unit for installation onto your chosen surface.



The measurements of the plate are as pictured below;



Not to scale

For additional help please contact us:

www.blackboxav.co.uk/support

Tel: +44 (0)1639 874 100

Email: sales@blackboxav.co.uk