



## Behind Panel Speakers 10W

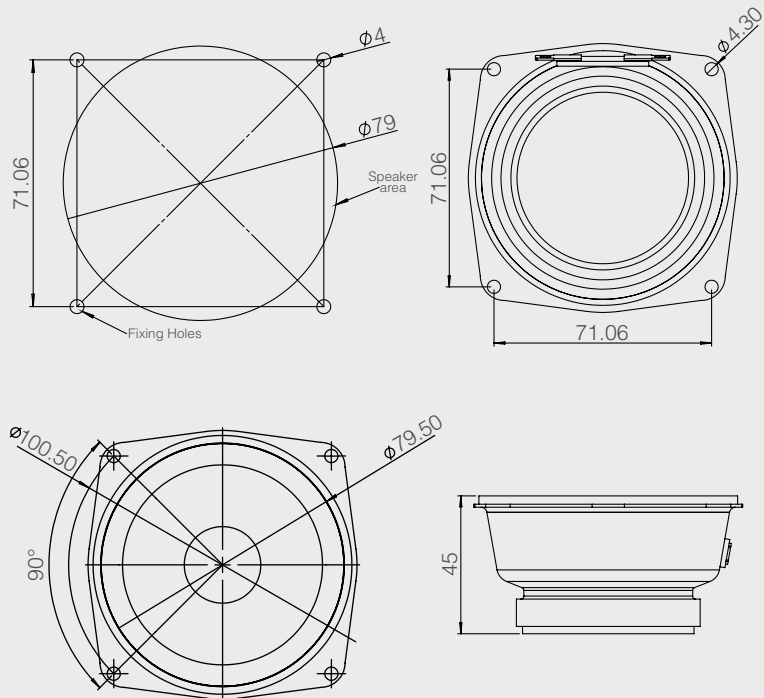


### 1 10W Speaker

The 10W speaker provides a great sound quality. Simply install onto a flat surface.

### 2 Easy Installation

Install the speaker against a panel with grill or behind a pre-cut hole. Easily secure with screws (not supplied).



<b>Unit Weight</b>	0.27Kg
<b>Unit Dimensions</b>	45 x 89.5 x 89.5mm
<b>Frequency Range</b>	f3-16,000 Hz
<b>Power Rating (RMS)</b>	10W
<b>Peak Music Power Output (MAX)</b>	20W
<b>Impedance</b>	4 $\Omega$
<b>Type of Speaker</b>	3"
<b>Admiss. Ambient Temperature</b>	0-40°C
<b>Included</b>	1 x 10W Behind Panel Speaker