



15.6" P-Cap 10 point multi-touch monitor with edge-to-edge glass

The 15.6" LED-backlit ProLite T1634MC-B4X uses Projective Capacitive Multi-Touch Technology, built into an eye catching bezel with edge-to-edge glass. The screen features a 1366 x 768 resolution, DVI and VGA inputs and a rugged bezel and IP54 rated front making it suitable for demanding environments. The ProLite T1634MC-B4X is the ideal solution for In-store Retail and Kiosk Integration.



TOUCH TECHNOLOGY - CAPACITIVE

This technology uses a sensor-grid of micro-fine wires integrated into the glass that covers the screen. Touch is detected because electrical characteristics of the sensor grid change when human finger is placed on the glass. Thanks to the glass overlay this technology is highly durable, and the touch function remains unaffected even if the glass is scratched. It offers perfect picture performance and will work with human finger (also latex gloved) and stylus-pen.



SCRATCH RESISTANCE

Scratch resistance is essential for touch solutions used in public places and schools. This is achieved thanks to a glass overlay covering the screen. It guarantees high durability of the touch function and even more importantly the touch function remains unaffected even if the glass is scratched.

1. DISPLAY CHARACTERISTICS

DIAGONAL 15.6"; 39.5cm

ASPECT RATIO 16 : 9

PANEL	TN LED
NATIVE RESOLUTION	1366 x 768 (1.0 megapixel)
BRIGHTNESS	400 cd/m ² typical
BRIGHTNESS	360 cd/m ² with touch panel
CONTRAST	500 : 1 with touch panel
RESPONSE TIME	8ms
VIEWING ZONE	horizontal/vertical: 170° / 160° ; right/left: 85° / 85° ; up/down: 80° / 80°
DISPLAY COLOUR	16.7 million
TOUCHTECHNOLOGY	projective capacitive, multi touch (10 compatible touch points - HID, supported only under Windows® 7/8), activated by finger or stylus
TOUCH POINTS	10
GLASS HARDNESS	7H minimum
LIGHT TRANSMITTANCE	90%
DISPLAY AREA H X W	193.5 x 344.2 mm; 7.6" x 13.6"
PIXEL PITCH H X V	0.252 x 0.252 mm
HORIZONTAL SYNC	31.4 - 60.3kHz
VERTICAL SYNC	56 - 75Hz
SYNCHRONIZATION	Separate Sync

2. INTERFACES & CONNECTORS

ANALOG INPUT CONNECTOR	VGA
DIGITAL INPUT CONNECTOR	DVI
CONTROLS	USB (touch)
INPUTS	USB (for touch connectivity)

3. FEATURES

PLUG & PLAY	VESA DDC2B™
CONTROLS	On-Screen-Display in 8 languages (DE, EN, ES, FR, IT, JP, Chinese - traditional and simplified) and 5 controls (Menu, Scroll up/ Brightness, Scroll down/ Contrast, Select/ Auto, Power)
USER CONTROLS	contrast, brightness, power, OSD, auto adjust, H.position, V.position, H.size, phase, OSD H.position, OSD V.position, OSD timeout, reset, input select, OSD language, colour temperature
REGULATIONS	CE, TÜV-Bauart, cULus, VCCI, CU
TILT ANGLE	90° up; 5° down
VESA MOUNTING	100 x 100 mm
COLOUR	Black
FANLESS DESIGN	yes

4. ACCESSORIES

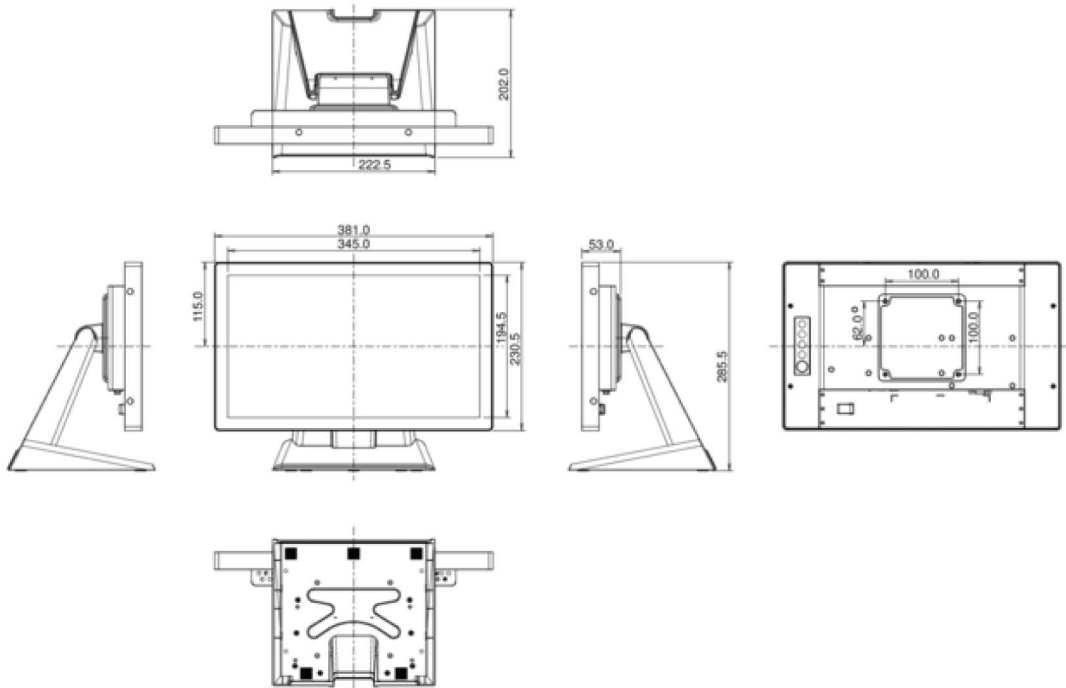
DRIVER	multi-touch: Windows7/8/10 (HID compliant), single-touch: Vista, XP, 9X, 2000, CE, NT4), Linux, Mac (OSX)
INCLUDED ACCESSORIES	AC adapter, power cable, DVI signal cable, VGA signal cable, USB cable, Touch Panel Driver Disk (CD-ROM), quick start guide, safety guide
OPTIONAL ACCESSORIES	remote control RC TOUCHV01

5. POWER MANAGEMENT

POWER SUPPLY	DC 12V
POWER SUPPLY UNIT	external
POWER USAGE	16 W typical; max. 2 W in Power management mode
POWER MANAGEMENT	VESA DPMS

6. DIMENSIONS & WEIGHT

DIMENSIONS W X H X D	381 x 285.5 x 202 mm
WEIGHT	4.4 kg



All trademarks and registered trademarks acknowledged. E & O E. Specification subject to change without notice. All LCD's comply with ISO-9241-307:2008 in connection with pixel defects.