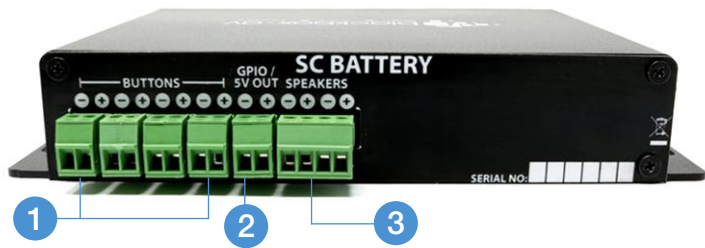




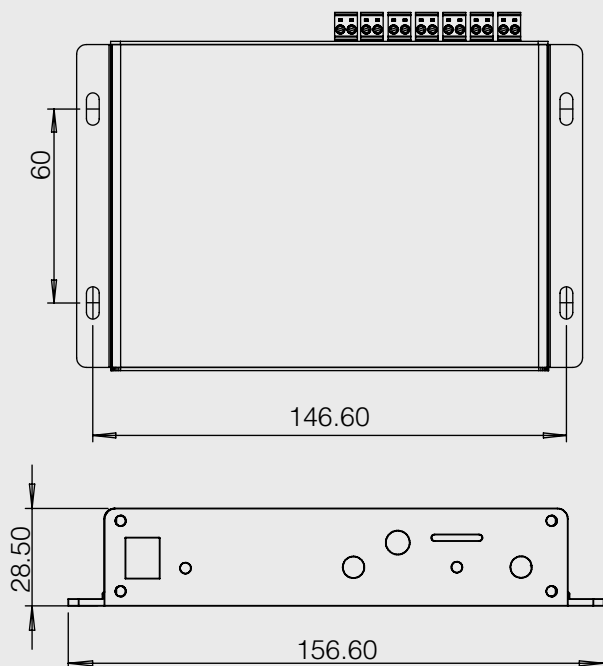
SoundClip-Battery

Product Code: SCB4



- 1 Button Inputs**
Supporting up to four buttons, the SCB4 is also compatible with other triggering devices.
- 2 GPIO Out**
During playback, the 5v (+/- 10%) output is switched on.
- 3 Speaker Output**
The onboard 2x1W RMS (+/- 10%) amplifier provides the unit with high quality stereo audio. The block terminal can be connected to various speakers.
- 4 Power Input / Charge**
The Charge Indicator will illuminate upon connection of the DC power supply, used for charging the internal 4 x AA batteries.
- 5 Headphone Output**
The device has 2 x high quality stereo 3.5mm jack outputs.
- 6 Volume**
Adjusted via the Master Control, you can set a preferred volume level for the player.
- 7 Micro SD Card**
Content is stored on a Micro SD card, allowing a maximum capacity of 32GB supporting up to 99 files.
- 8 Status LED**
The green LED indicates various player states.
- ✓ Battery Powered**
The 4 x AA internal batteries can take between 4 to 6 hours to charge. A fully charged unit can play audio for around 48 hours.
- ✓ Fixing Wings**
Easily installed to any flat surface via the fixing wings.
- ✓ Casing**
Made from durable black anodised aluminium to ensure the unit has a prolonged life.

Technical Information



Packaged Weight	0.7Kg
Unpackaged Weight	0.6Kg
Dimensions	110 x 155 x 28mm
Message Storage Medium	Micro SD Card (32GB of Storage)
Maximum Number of Audio Files	99 Files
Number of Buttons/Trigger Inputs	4 Buttons
Message Encoding Format	.MP3
Speaker Audio Output	2 x 1W into 4/8ohm speakers (stereo)
Headphone Audio Output	2 x 3.5mm audio jack
Speaker Connector	2 x Screw terminals
5V Out	Power accessories such as low power LED's or PIR Sensors
Power Supply	External PSU 6V
Common Switch Output	5V (+/- 10%)
Max Switch (V)	50V
Included	1 x SoundClip Battery unit, 1 x Micro SD Card to USB Reader, 1 x Precision Screwdriver, 4 x AA 2500mah Duracell© brand NimH Rechargeable Batteries, 1 x Micro SD Card

Other SoundClip Products



SoundClip-2



SoundClip-8



SoundClip-16



SoundClip-8L

Related Products



Heavy Duty Handset



Push Button



MKII Armour Cable Headphones



PIR Sensor