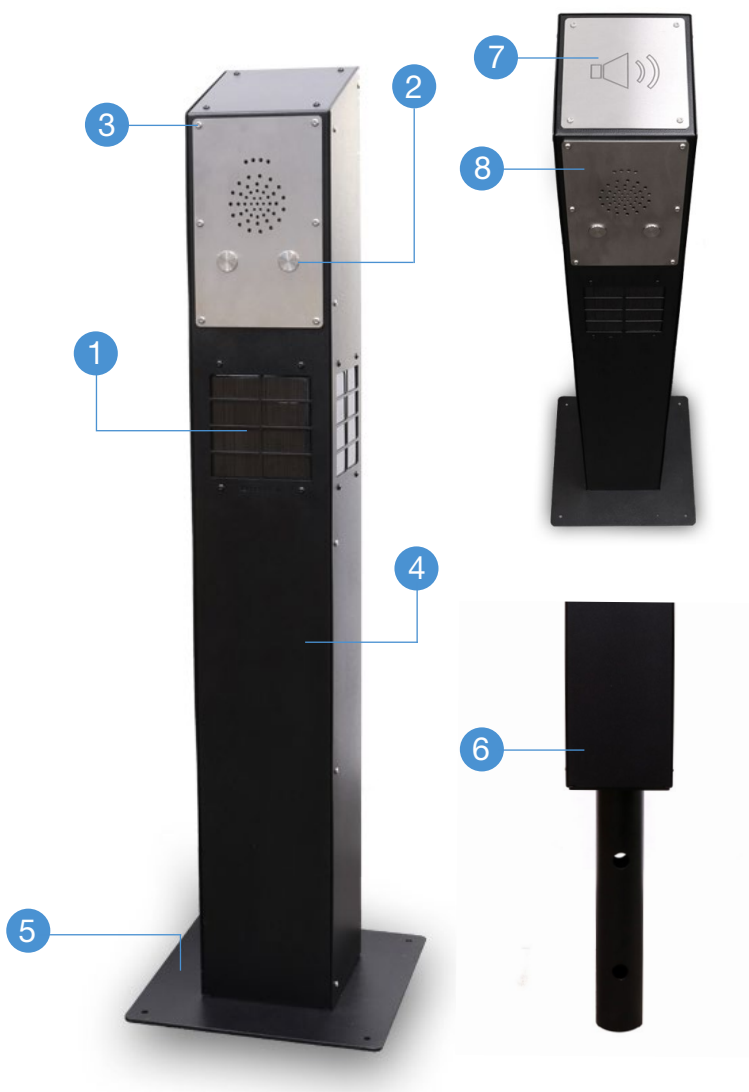




Solar Audio Post - Metal

Product Code: SAP-MP/MIG



1 4 Solar Panels
Built into each side of the metal Solar Post, providing optimal exposure to sunlight throughout the day.

2 2 Buttons
The Solar Audio Post provides 2 activation buttons. Buttons can play a single track, or multiple tracks sequentially.

3 Security Screws
The front plate is screwed onto the post using security screws.

4 Metal Unit
Constructed from incredibly durable power coated stainless steel.

Options

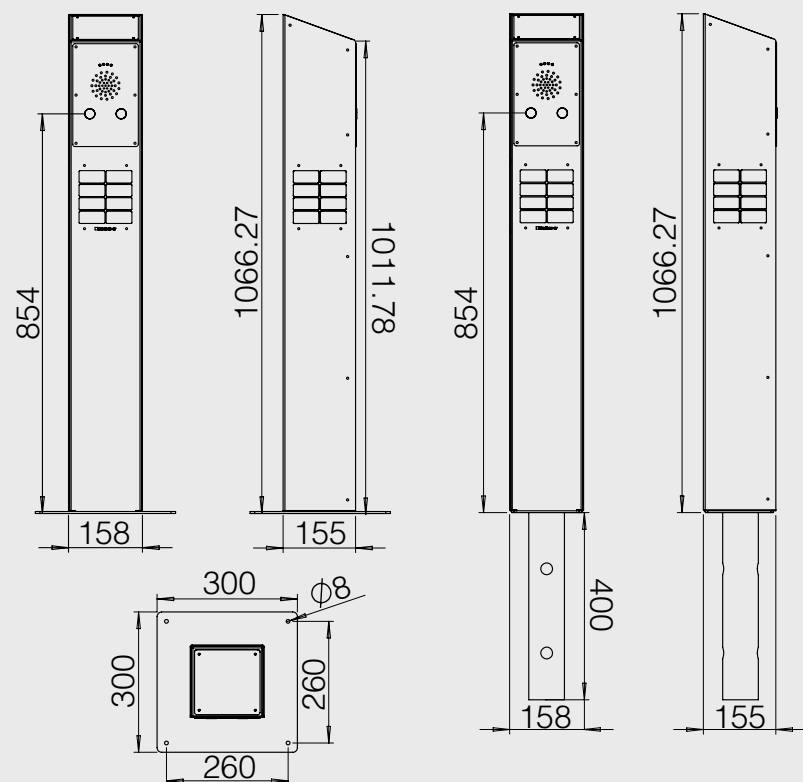
5 Plinth Mount
Bolt the post into the ground via the Plinth mount.

6 In Ground Mount
Install the post into the ground via the In Ground mount.

7 Top Plate Customisation
Add a fully customisable plate to the top of the post.

8 Front Plate Customisation
Provides the post with a laser etched list of content on each button, instructions or even logos.

Technical Information



Weight with Plinth Mount	13.1Kg
Weight with In-Ground Mount	15.8Kg
Dimensions with Plinth Mount	300 (W) x 300 (D) x 1066 (H) mm
Dimensions with In-Ground Mount	158 (W) x 155 (D) x 1466 (H) mm
Power	4 built-in Solar Panels charging long life batteries at up to 200mA per hour (+/- 10%)
Message Storage	16MB Flash Memory (on board)
Maximum No. of Messages	6 (3 on each button)
Message Encoding Format	.MP3
Maximum Total Message Length	>16 Minutes @64kbs
Programming Transfer Rate	Approx. 20 Seconds per MB of message
Audio Output	1W into 8Ω Speaker
Frequency Range	75Hz - 20KHz
Included	1 x Solar Audio Post - Metal, 1 x Plinth Mount (optional), 1 x In-Ground Mount (optional), 1 x USB Programmer

Related Products



Solar Audio Post - Wooden



U-Turn Round



Solar Audio Post - Electronics



Audio Bench - Heavy Duty



Email: sales@blackboxav.co.uk
Tel: +44 (0)1639 874100