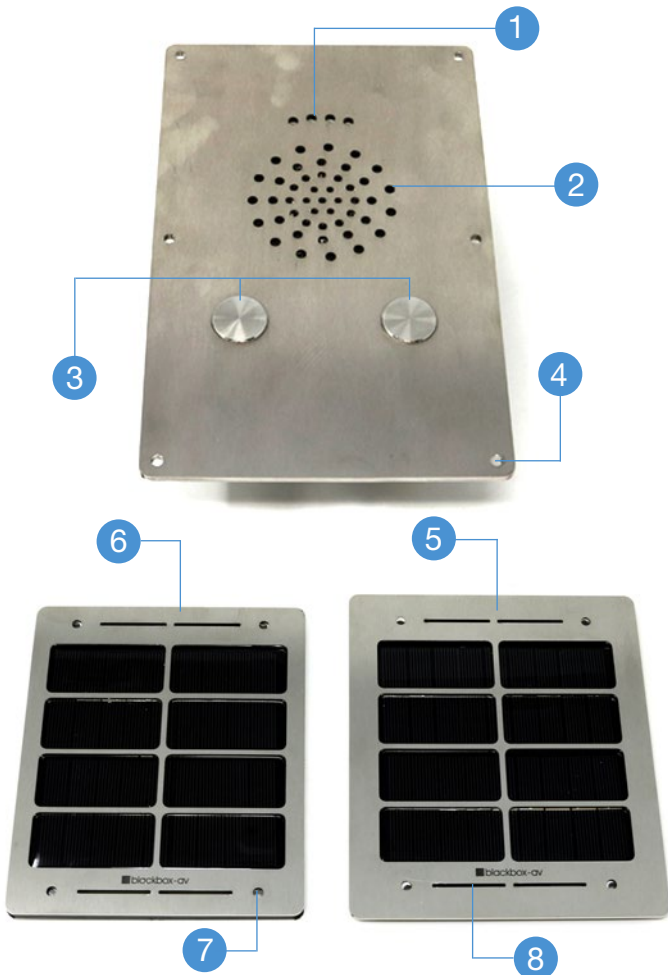




Solar Audio Post - Electronics

Product Code: SAP-E

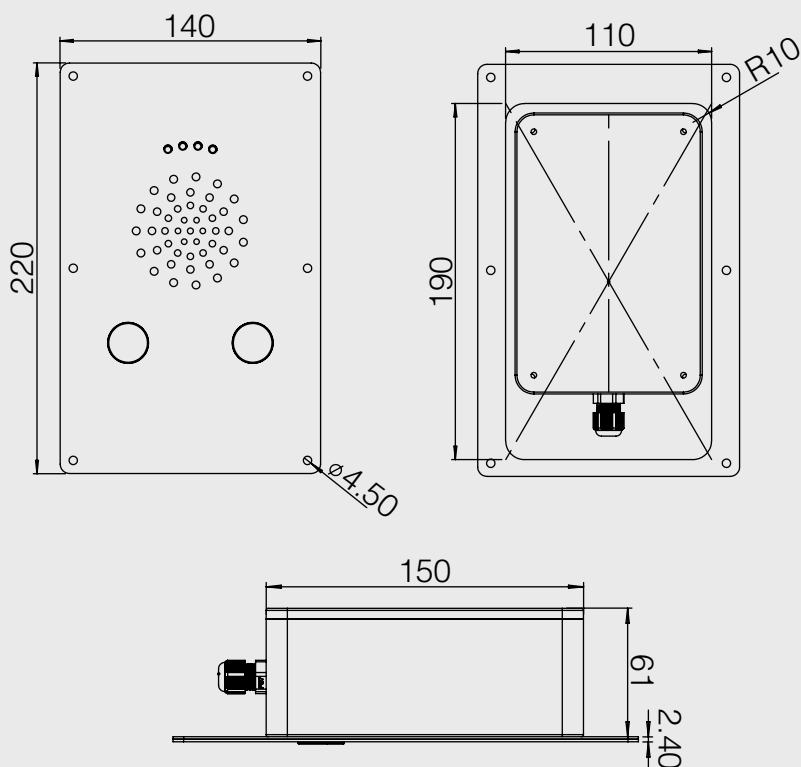


- 1 Programming**
Add content to your Solar Audio Post with our supplied USB Programmer via labelled holes.
- 2 Speaker Grill**
Outputs 2 x 3W into 4Ω speakers.
- 3 Activation Buttons**
The Solar Audio Post provides 2 activation buttons. Buttons can play a single track, or multiple tracks sequentially.
- 4 Fixing Holes (Unit)**
The Electronics are mounted onto your bespoke build via the fixing holes.
- 7 Fixing Holes (Solar Panel)**
The Solar Panels can be mounted via the fixing holes.
- 8 Drainage Holes**
Allows drainage of water. The electronics are weather proof but should not be submerged.

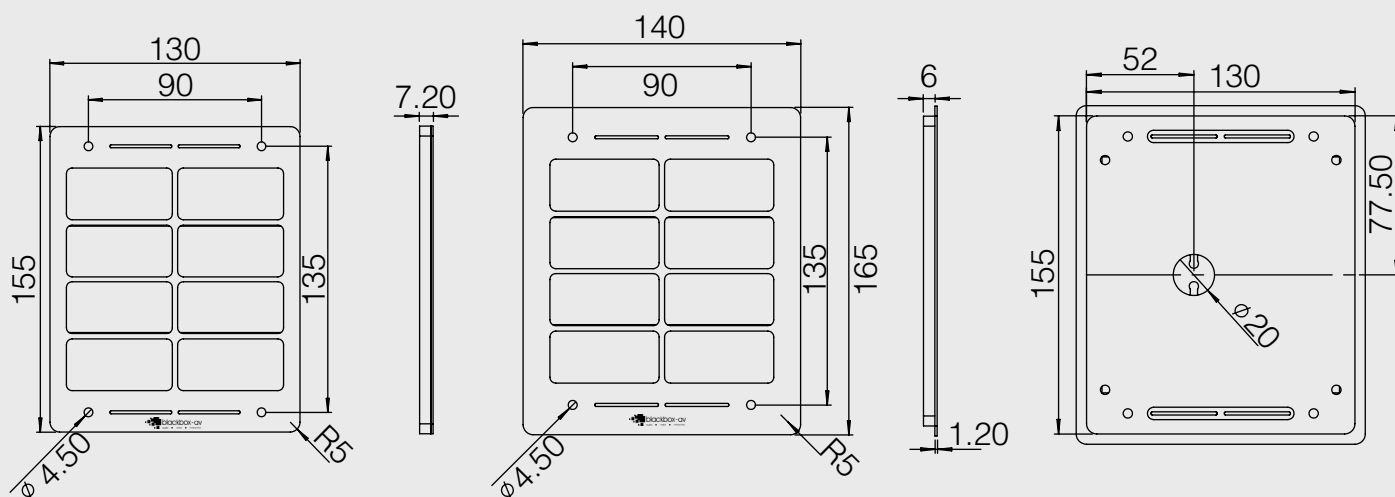
Options

- 5 Recessed Solar Panels**
The Recessed Solar Panel's allow you to mount the panel recessed within a structure.
- 6 Surfaced Solar Panels**
The Surfaced Solar Panels allows you to mount the panel above a structure.

Technical Information



Weight	1.7Kg
Dimensions	140 (W) x 63.40 (D) x 220 (H) mm
Power	4 built-in Solar Panels charging long life batteries up to 200mA per hour (+/- 10%)
Message Storage	16MB Flash Memory (on board)
Maximum No. of Messages	6 (3 on each button)
Message Encoding Format	.MP3
Maximum Total Message Length	>16 Minutes @64kbs
Programming Transfer Rate	Approx. 20 Seconds per MB of message
Audio Output	1W into 8 Ω Speaker
Frequency Range	75Hz - 20KHz
Included	
1 x Solar Audio Post - Electronics, 1 x USB Programming Dongle	



Related Products



Solar Audio Post - Metal



U-Turn Round



Solar Audio Post - Wooden



Audio Bench - Heavy Duty