

## 19MM STAINLESS STEEL BUTTON

### What is it?

Its a push to make 19mm stainless steel push button.

Its been sealed to IP65 and can withstand 1,000,000 push cycles.

### How does it work?

The button activates when a pressure (5-14 Nm) is applied to the face of the button. All of the buttons we sell at blackbox-av are compatible with our push button operated products.

### How is it fitted?

We recomend a 20mm hole within your wood/ metalwork to accept the button, with a maximum thickness of 8mm.

There is a nut which needs to be tightend to lock the button to the wood/ metalwork.

## Key Features

- Stainless steel polished finish
- IP65 rated
- Vandal resistant
- 1,000,000 push cycles



6 Button Listening Point, Cyfarthfa Castle



Audio Map, Ballycroy Visitor Centre

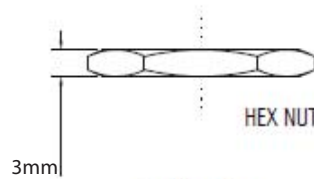
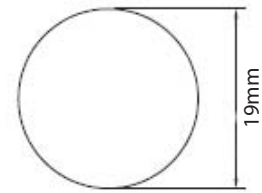
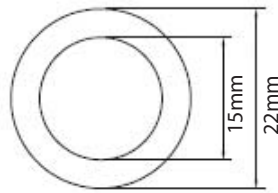
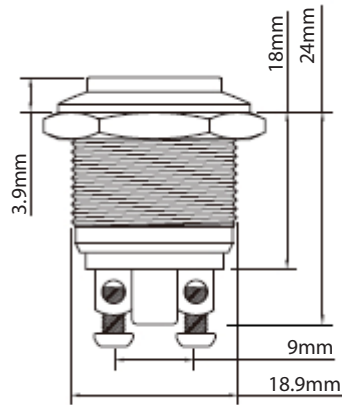
Registered Office:

25 Aberafan Road | Baglan Industrial Park | Port Talbot | SA12 7DJ | UK

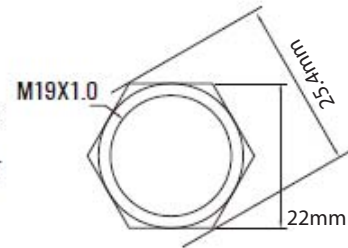
+44 (0)1639 767007  
+44 (0)1639 767008  
sales@blackboxav.co.uk

Company Reg No. 294 6439  
Vat Reg No. 647 806606





Exploded View



Assembled View

Suggested cutout 19.5/20mm.  
Max panel thickness 8mm.

## SPECIFICATIONS

Colour	Silver
Mechanical Specifications	<p>Water Resistance: Yes            Connection: Screw - 50cm 24AWG            Materials: Stainless Steel            Operation Pressure: 5.5Nm (Typical)            Mechanical Life: 1,000,000 cycles            Operational Temp: -20C - +55C</p>
Functional Operation Specifications	<p>Momentary            Normally Open            Impact: 1kg Shock Test            Push To Make</p>
Electrical Specifications	<p>Insulation Resistance: <math>\geq 1000m\Omega</math>            Contact Resistance: <math>\leq 50m\Omega</math>            Max Switch Rating: 2A 48VDC            Dielectric Strength: 2000VAC</p>