

## AMMUSEMENT BUTTON

### What is it?

Its a push to make plastic amusement button.

The buttons are available in three colours red, white and green. The button features an insert area where you can print out information to display on the button and they can also be liuminated if required.

### How does it work?

The button activates when a pressure (5-14 Nm) is applied to the face of the button. All of the buttons we sell at blackbox-av are compatible with our push button operated products.

### How is it fitted?

We recomend a 25mm hole within your wood/ metalwork to accept the button, with a maximum thickness of 18mm.

There is a nut which needs to be tightend to lock the button to the wood/ metalwork.

### Key Features

- 3 Colour options
- Illumination option
- Insert area for graphics
- Robust construction



Audio point, Trinity House



Illuminated audio point button

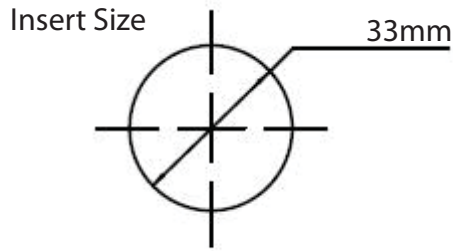
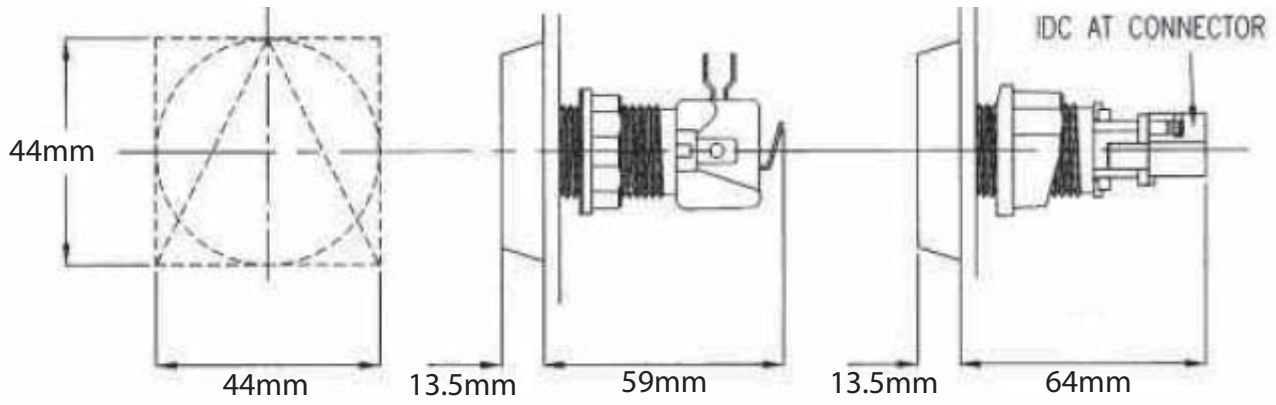
Registered Office:

25 Aberafan Road | Baglan Industrial Park | Port Talbot | SA12 7DJ | UK

+44 (0)1639 767007  
+44 (0)1639 767008  
sales@blackboxav.co.uk

Company Reg No. 294 6439  
Vat Reg No. 647 806606





Suggested cutout 25mm.  
 Max panel thickness 18mm.

## SPECIFICATIONS

Colour	Red, White & Green
Mechanical Specifications	Water Resistance: No Connection: 6mm Crimped Spage Materials: Plastic Operation Pressure: 5.5Nm (Typical) Mechanical Life: 1,000,000 cycles Operational Temp: -5C - +50C
Functional Operation Specifications	Momentary Normally Open / Normally Closed Impact: 1kg Shock Test Push To Make / Push to Break
Electrical Specifications	Contact Current: 3A 250V ac Lamp: VCH 512 12V