

AutoPlay SingleCup

Manual v2



Oct 2016

Contents

1. What is the AP-SC?	4
2. Connecting to SoundClip	4
3. Connecting to your own device	5
4. 3.5mm Jack	6
5. Installation	6
5.1 Optional Teardrop	7

Thank you for purchasing the AutoPlay Singlecup headphone

The AP-SC is one of a range of products we offer specific to the heritage marketplace. We are confident that we have other products you will find useful and look forward to hearing from you again soon.

T: +44 (0)1639 767007 | **W:** www.blackboxav.co.uk

1. What is the AP-SC?

The AutoPlay Singlecup headphone is an easily installed headphone system which allows content to be played upon 'pickup' of the handset.

The Headphone is magnetically attached to the wall mounted handle when not in use. When removed from this handle content is triggered.

2. Connecting to SoundClip

Connecting the AP-SC to our range of SoundClip audio players couldn't be easier.

1. Simply plug the activation wires (black/orange wires attached to the green terminal block) into button 1.





2. Plug the audio jack into the Headphone socket

3. Set the configuration dipswitch to 5 in the 'on' position like so;



See individual SoundClip user manual for information on programming content to be activated. Essentially the handset will now play content programmed to activate upon trigger of Button 1.

3. Connecting to your own device

Although designed primarily to be utilised alongside our own range of media players, the AP-SC can be connected to a device of your own - to do so you must be aware of the following cable connections;

BLACK = Ground - Connect to controller

ORANGE = Trigger - contact is n/c

When the headphone is removed from its hanger, the trigger is 'open'.



4. 3.5mm Jack

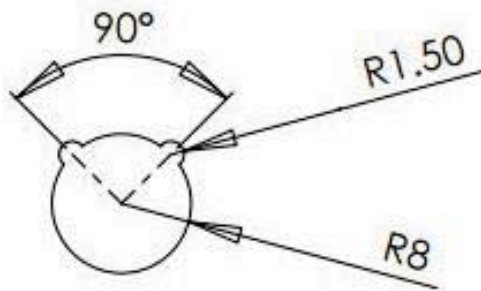
The 3.5mm jack outputs mono audio from the right hand channel. Audio is only output from the tip.

5. Installation

The magnetic hanger needs to be mounted flush to a surface to allow the headphones to sit securely - the headphone icon displayed on the hanger should be installed right way up.

All headphones are supplied with a 90° knuckle which provides additional stability to the armoured cable via it's through panel installation point.

A cutout for the knuckle will need to be made to the following measurements (in mm).



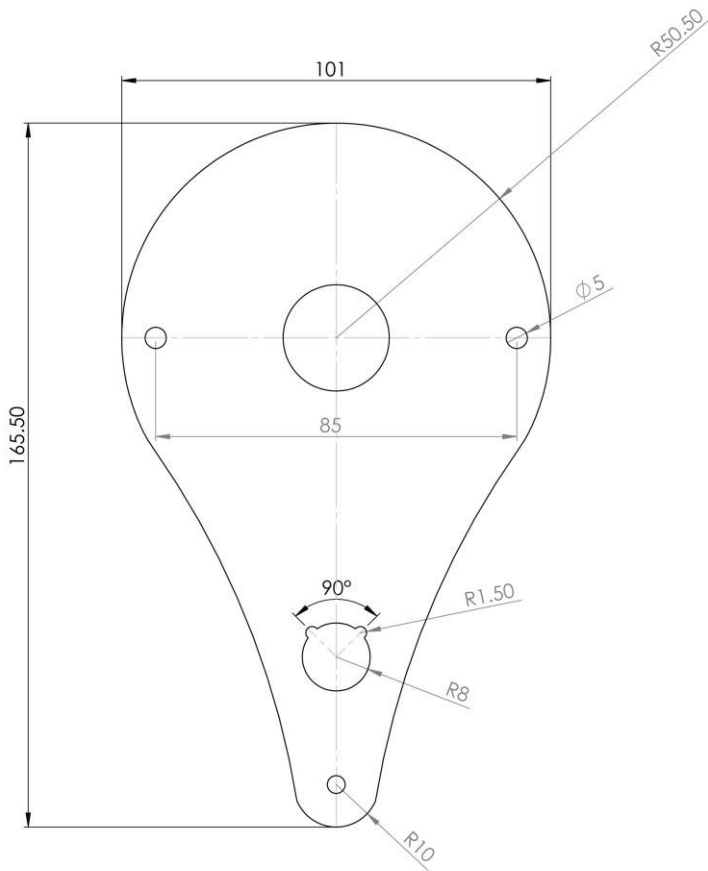
This secures the otherwise weak point should the cable simply be fed through the panel.

5.1 Optional Teardrop



The AP-SC can be supplied with a Teardrop mounting plate which combines both the Knuckle and Magnetic Hanger into a compact unit for installation onto your chosen surface.

The measurements of the plate are as pictured;



Not to scale

For additional help please contact us:

www.blackboxav.co.uk/support

Tel: +44 (0)1639 874 100

Email: sales@blackboxav.co.uk