

# AutoPlay SingleCup

Manual v2.2



Oct 2018

## Contents

1. What is the AP-SC? .....	3
2. Connecting to SoundClip .....	3
3. Connecting to your own device .....	4
4. 3.5mm Jack .....	5
5. Installation .....	5
5.1 Optional Teardrop .....	6
6. Electrical Specifications .....	7
7. Wiring Diagram .....	7

## **Thank you for purchasing the AutoPlay Singlecup headphone**

The AP-SC is one of a range of products we offer specific to the heritage marketplace. We are confident that we have other products you will find useful and look forward to hearing from you again soon.

**T:** +44 (0)1639 767007 | **W:** [www.blackboxav.co.uk](http://www.blackboxav.co.uk)

## **1. What is the AP-SC?**

The AutoPlay Singlecup headphone is an easily installed headphone system which allows content to be played upon 'pickup' of the handset.

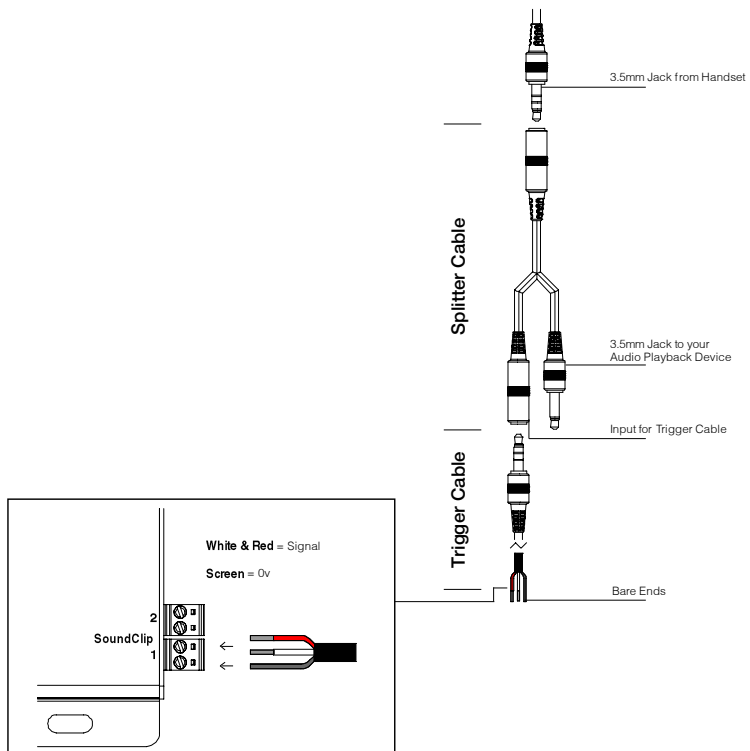
The Headphone is magnetically attached to the wall mounted handle when not in use. When removed from this handle content is triggered.

## **2. Connecting to SoundClip**

AutoPlay functionality is supported by our SoundClip range of audio players. The handset is supplied with a trigger and splitter cable, the 3.5mm jack is installed to the output, while the activation cables are wired to an appropriate button terminal on the SoundClip device.

### 3. Connecting to your own device

You will need to check with the manufacturer of other playback devices to ensure compatibility. To connect to third party devices you will need to be aware of the cable connections as displayed below.



When the handset is removed from the hanger, the trigger is 'open'.

## 4. 3.5mm Jack

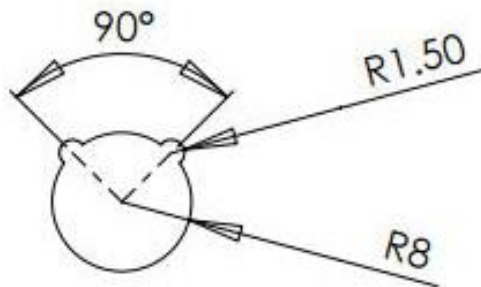
The 3.5mm jack outputs mono audio from the right hand channel. Audio is only output from the tip.

## 5. Installation

The magnetic hanger needs to be mounted flush to a surface to allow the headphones to sit securely - the headphone icon displayed on the hanger should be installed right way up.

All headphones are supplied with a 90° knuckle which provides additional stability to the armoured cable via it's through panel installation point.

A cutout for the knuckle will need to be made to the following measurements (in mm).



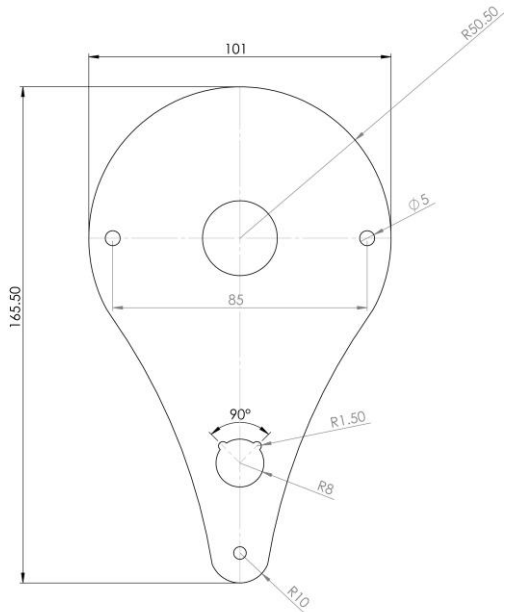
This secures the otherwise weak point should the cable simply be fed through the panel.

## 5.1 Optional Teardrop



The AP-SC can be supplied with a Teardrop mounting plate which combines both the Knuckle and Magnetic Hanger into a compact unit for installation onto your chosen surface.

The measurements of the plate are as pictured;



*Not to scale*

## 6. Electrical Specifications

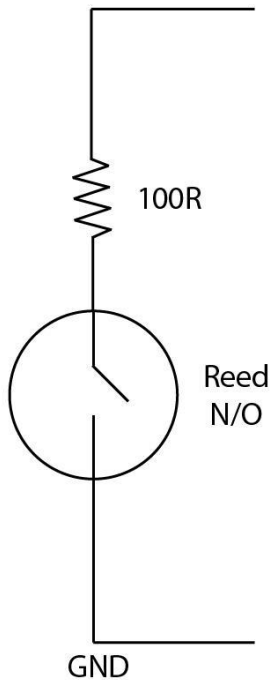
Max working Voltage: 24v DC

Max Contact Load: 50mA

Contact Impedance: 100R

## 7. Wiring Diagram

Reed N/O  
when lifted



**For additional help please contact us:**

**[www.blackboxav.co.uk/support](http://www.blackboxav.co.uk/support)**

**Tel: +44 (0)1639 874 100**

**Email: [sales@blackboxav.co.uk](mailto:sales@blackboxav.co.uk)**